

Bio3 Implants



CONTENT

Premium Tapered Implants Range

- 03 Bio3 Implants**
- 03** ▪ Progressive Implant
- 08** ▪ Advanced Implant
- 13** ▪ Fix Implant

- 16 Suprastructures**
- 17** ▪ Gingiva Healing Abutments
- 20** ▪ Straight Anatomic Abutments
- 20** ▪ Plastic Transfer Cap
- 21** ▪ Straight Abutments
- 22** ▪ Angled Abutments 15°
- 23** ▪ Angled Abutments 25°
- 24** ▪ Impression Suprastructures
- 25** ▪ Straight Multi-Units

- 26** ▪ Angled Multi-Units 17°
- 27** ▪ Angled Multi-Units 30°
- 28** ▪ Ball Attachments
- 29** ▪ Locators
- 30** ▪ Burn-Out Abutments
- 31** ▪ Titanium Base for CAD/CAM
- 32** ▪ Prosthetics for CAD/CAM

- 34 Bio3 Kits**
- 34** ▪ Bio3 Surgical Kit
- 36** ▪ Bio3 Guide Surgical Kit

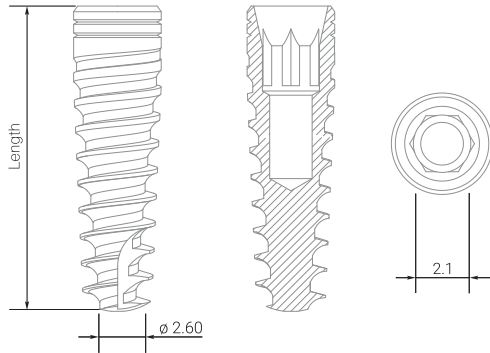
- 38 Instruments, Implant Drivers, Adapters**
- 39** ▪ Wrenches & Stoppers, Surgical Tapered Drills



**Bio3 IMPLANT
PROGRESSIVE**

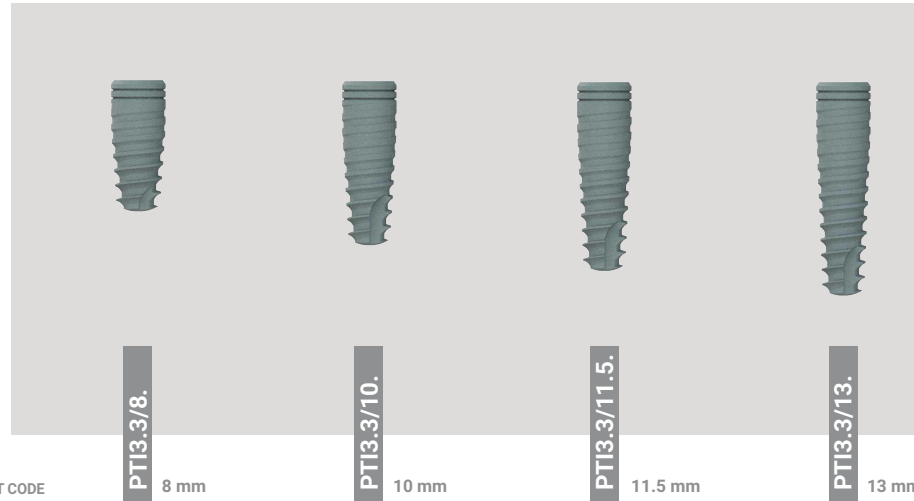
Bio3 IMPLANT PROGRESSIVE

Standard platform



ATTENTION!

It is used for installation in front parts (incisors)



STANDARD PLATFORM

DIAMETER **3.3**
INTERNAL HEX **2.1**

TITANIUM COVER SCREW 2.1



is included in each implant set

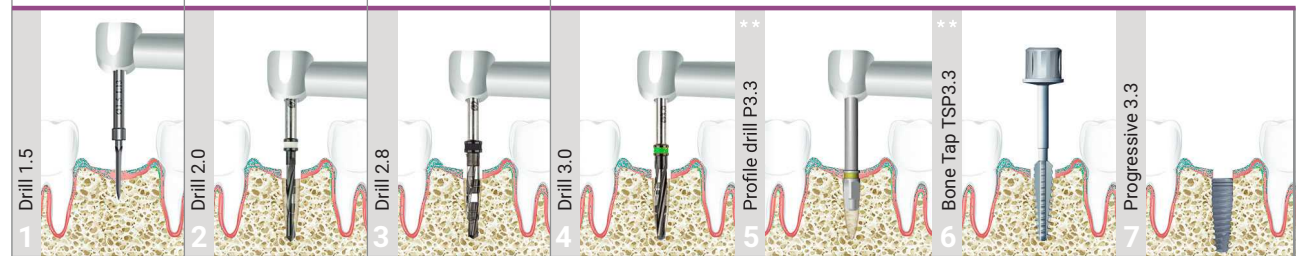
PROGRESSIVE IMPLANT

Progressive Implant is the newest development. Being self-tapping it provides perfect fixation and primary stability.

Spiral-shaped implant form with various thread depth is developed for better bone compression while using in III-IV bone types.

RECOMMENDED DRILLING SPEED

D1 800-1200	D1 800-1000	D1 600-800	D1 500-700
D2 800-1200	D2 800-1000	D2 600-800	D2 600-800
D3 800-1000	D3 700-900	D3 500-600	D3 500-600
D4 800-1000	D4 600-800	D4 400-500	D4 400-500



Implantation Protocol.*

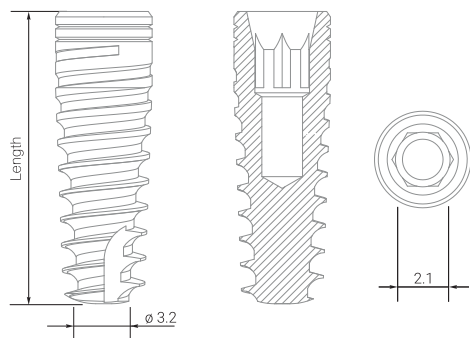
* The Protocol does not replace an appropriate training.

** It is used in I and II bone types.

Our drill 2.8 change color and go from red to black. During the transition period, we will deliver the red and black products to you, up to complete modification of the range.

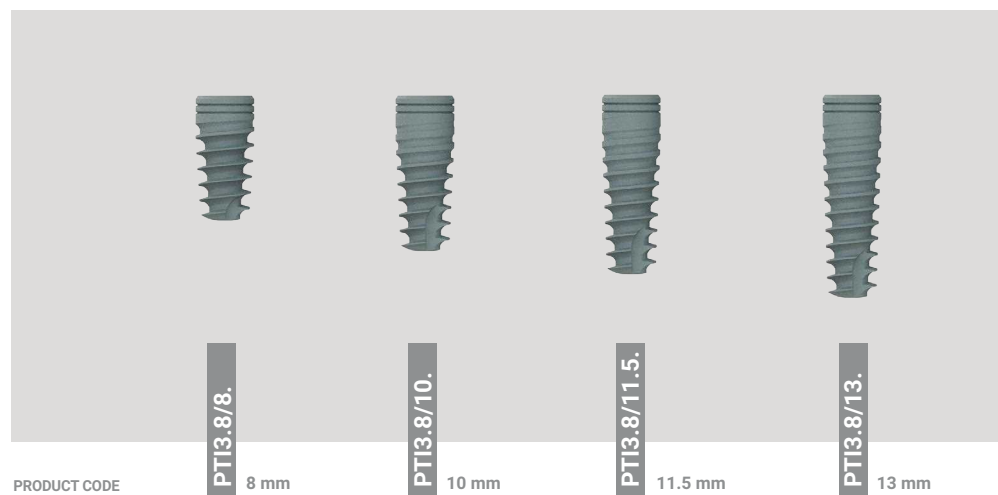
Bio3 IMPLANT PROGRESSIVE

Standard platform



ATTENTION!

It is used for installation in front parts (incisors)



PRODUCT CODE

PTI3.8/8.

8 mm

PTI3.8/10.

10 mm

PTI3.8/11.5.

11.5 mm

PTI3.8/13.

13 mm

STANDARD PLATFORM

DIAMETER

3.8

INTERNAL HEX

2.1

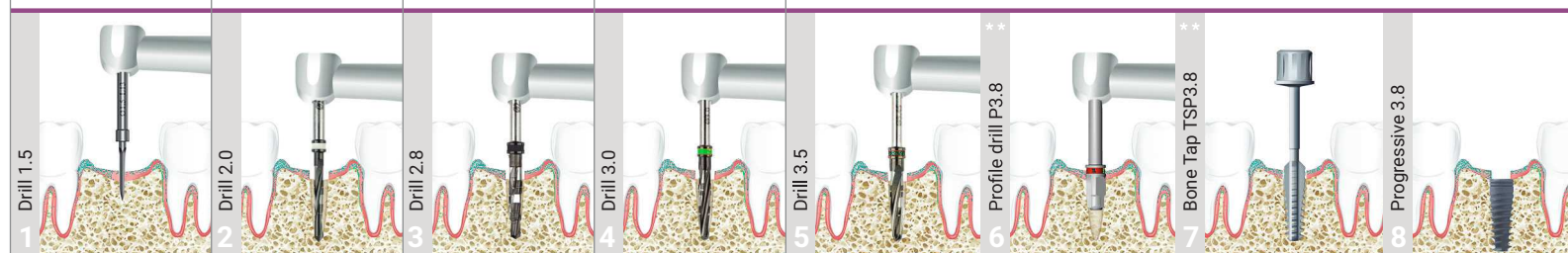
TITANIUM COVER SCREW 2.1



is included in each implant set

RECOMMENDED DRILLING SPEED

D1	800-1200	D1	800-1000	D1	600-800	D1	500-700	D1	500-700
D2	800-1200	D2	800-1000	D2	600-800	D2	600-800	D2	600-800
D3	800-1000	D3	700-900	D3	500-600	D3	500-600	D3	500-600
D4	800-1000	D4	600-800	D4	400-500	D4	400-500	D4	400-500



Implantation Protocol.*

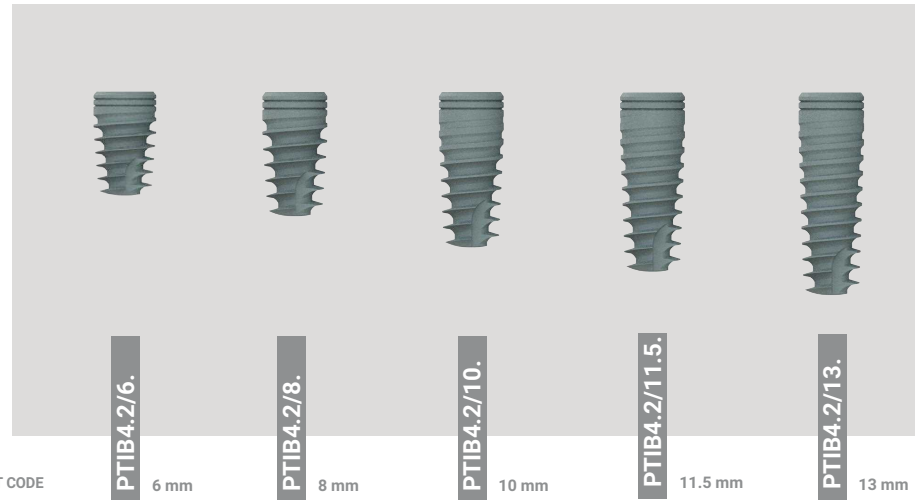
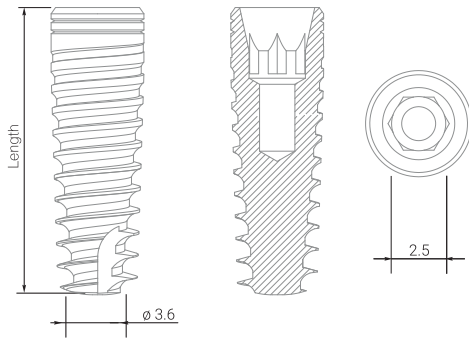
* The Protocol does not replace an appropriate training.

** It is used in I and II bone types.

Our drill 2.8 change color and go from red to black. During the transition period, we will deliver the red and black products to you, up to complete modification of the range.

Bio3 IMPLANT PROGRESSIVE

Wide platform



DIAMETER
4.2
INTERNAL HEX
2.5

**WIDE
PLATFORM**

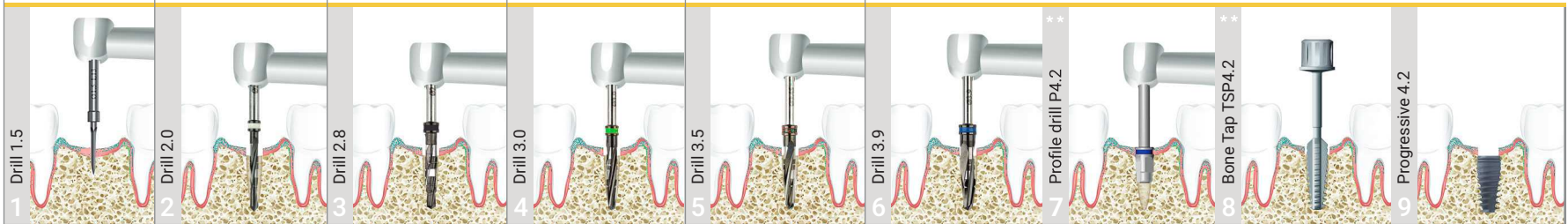
TITANIUM COVER SCREW 2.5



is included in each implant set

RECOMMENDED DRILLING SPEED

D1	800-1200	D1	800-1000	D1	600-800	D1	500-700	D1	500-700	D1	400-600
D2	800-1200	D2	800-1000	D2	600-800	D2	600-800	D2	600-800	D2	500-700
D3	800-1000	D3	700-900	D3	500-600	D3	500-600	D3	500-600	D3	500-600
D4	800-1000	D4	600-800	D4	400-500	D4	400-500	D4	400-500	D4	400-500



Implantation Protocol.*

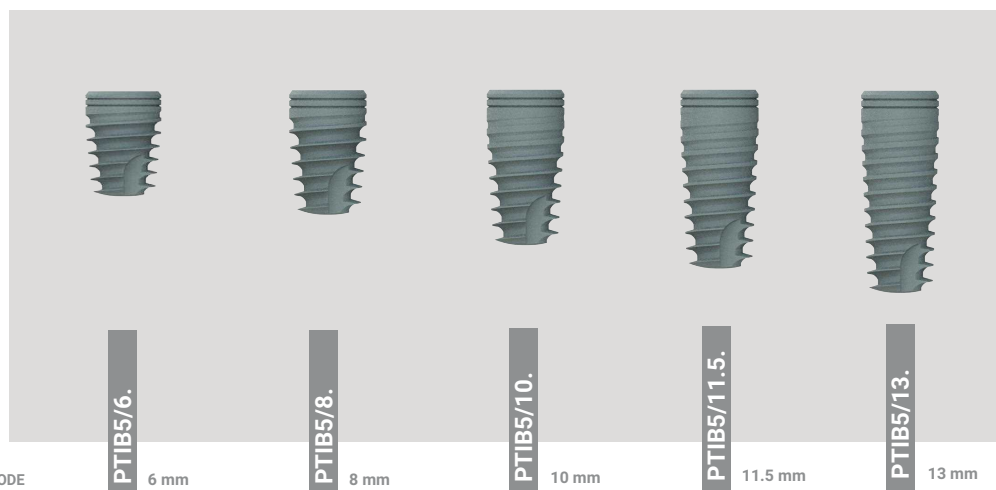
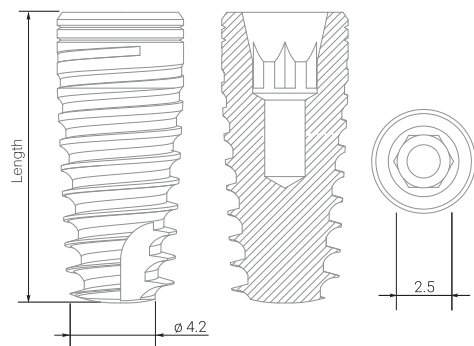
* The Protocol does not replace an appropriate training.

** It is used in I and II bone types.

Our drill 2.8 change color and go from red to black. During the transition period, we will deliver the red and black products to you, up to complete modification of the range.

Bio3 IMPLANT PROGRESSIVE

Wide platform



DIAMETER
5.0

INTERNAL HEX
2.5

**WIDE
PLATFORM**

PRODUCT CODE **PTIB5/6.** 6 mm **PTIB5/8.** 8 mm **PTIB5/10.** 10 mm **PTIB5/11.5.** 11.5 mm **PTIB5/13.** 13 mm

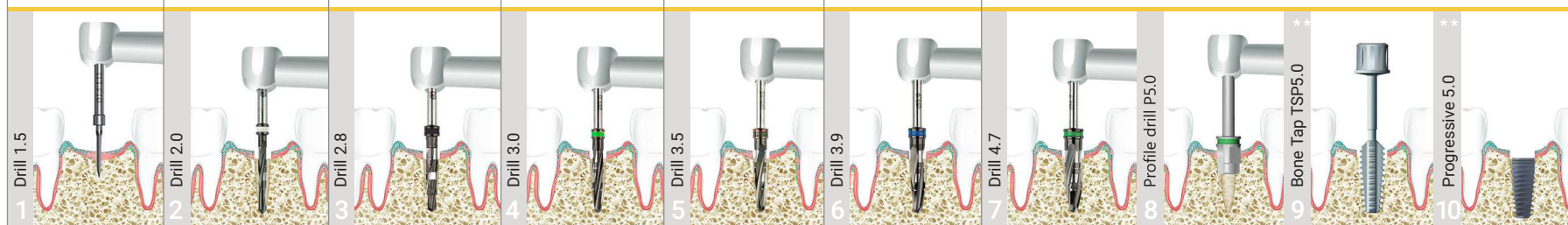
TITANIUM COVER SCREW 2.5



is included in each implant set

RECOMMENDED DRILLING SPEED

D1	800-1200	D1	800-1000	D1	600-800	D1	500-700	D1	500-700	D1	400-600	D1	400-600
D2	800-1200	D2	800-1000	D2	600-800	D2	600-800	D2	600-800	D2	500-700	D2	400-700
D3	800-1000	D3	700-900	D3	500-600	D3	500-600	D3	500-600	D3	500-600	D3	500-600
D4	800-1000	D4	600-800	D4	400-500	D4	400-500	D4	400-500	D4	400-500	D4	400-500

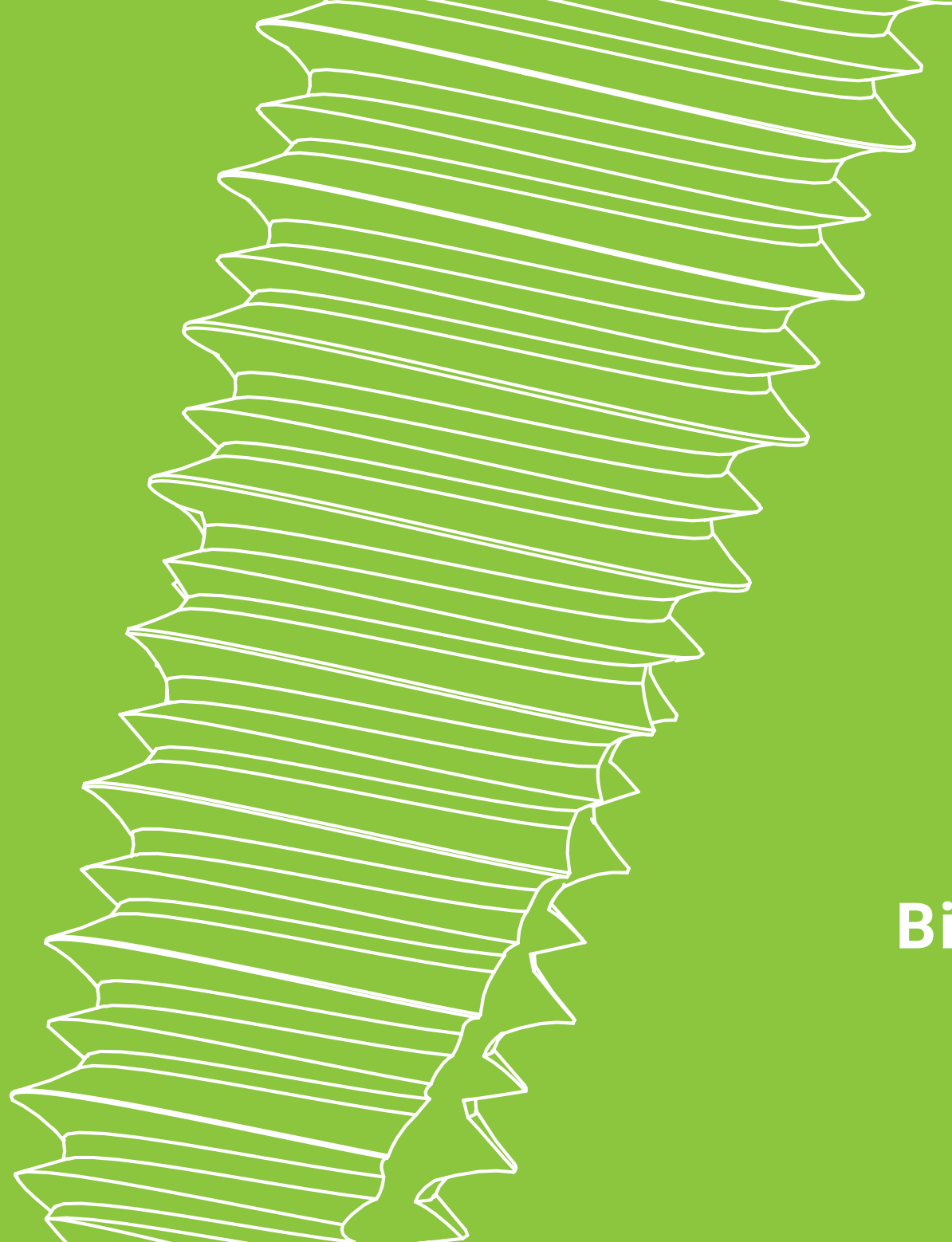


Implantation Protocol.*

* The Protocol does not replace an appropriate training.

** It is used in I and II bone types.

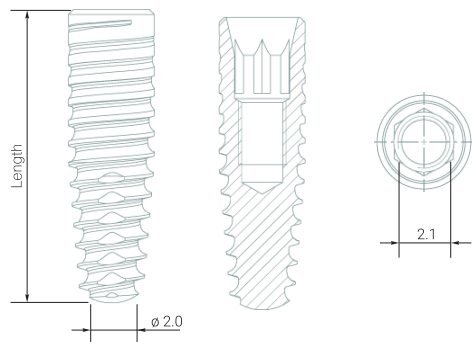
Our drill 2.8 change color and go from red to black. During the transition period, we will deliver the red and black products to you, up to complete modification of the range.



**Bio3 IMPLANT
ADVANCED**

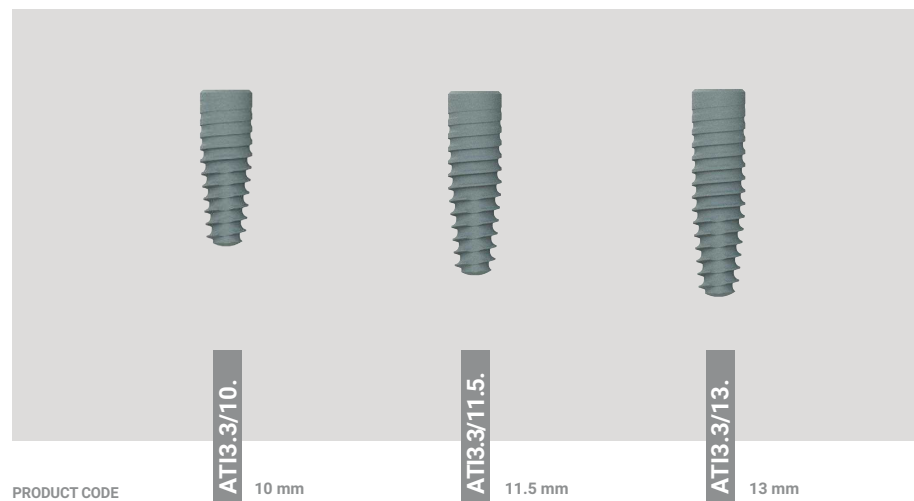
Bio3 IMPLANT ADVANCED

Standard platform



ATTENTION!

It is used for installation in front parts (incisors)



PRODUCT CODE

AT13.3/10.

10 mm

AT13.3/11.5.

11.5 mm

AT13.3/13.

13 mm

STANDARD PLATFORM

DIAMETER

3.3

INTERNAL HEX

2.1

TITANIUM COVER SCREW 2.1



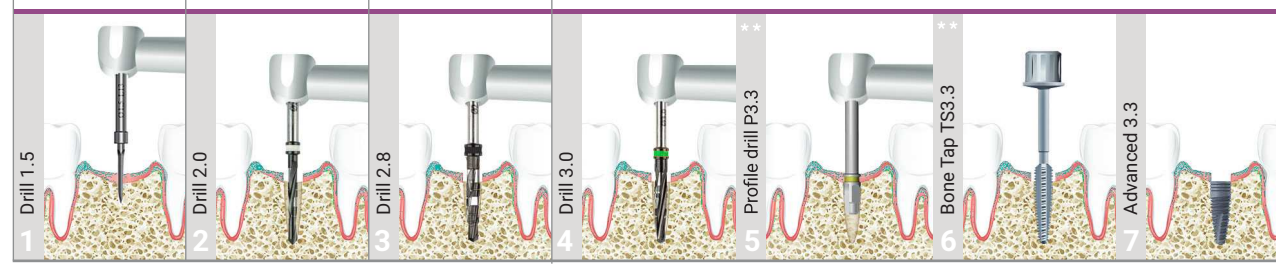
is included in each implant set

ADVANCED IMPLANT

Advanced Implant has a unique design developed to provide perfect clinical results for various dental implantation procedures. Its root-shaped form and self-tapping triple thread enables to ease implantation process and provides high level of primary stability. The implant cervical part is done with micro thread for maximum contact of the implant with a cortical layer and prevents from bone resorption.

RECOMMENDED DRILLING SPEED

D1	800 -1200	D1	800 -1000	D1	600 -800	D1	500 -700
D2	800 -1200	D2	800 -1000	D2	600 -800	D2	600 -800
D3	800 -1000	D3	700 -900	D3	500 -600	D3	500 -600
D4	800 -1000	D4	600 -800	D4	400 -500	D4	400 -500



Implantation Protocol.*

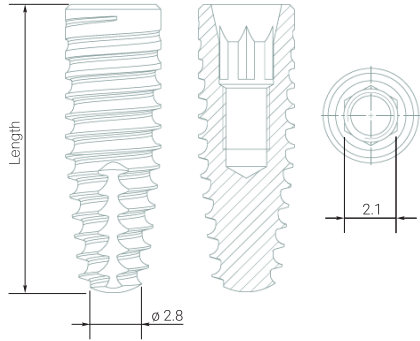
* The Protocol does not replace an appropriate training.

** It is used in I and II bone types.

Our drill 2.8 change color and go from red to black. During the transition period, we will deliver the red and black products to you, up to complete modification of the range.

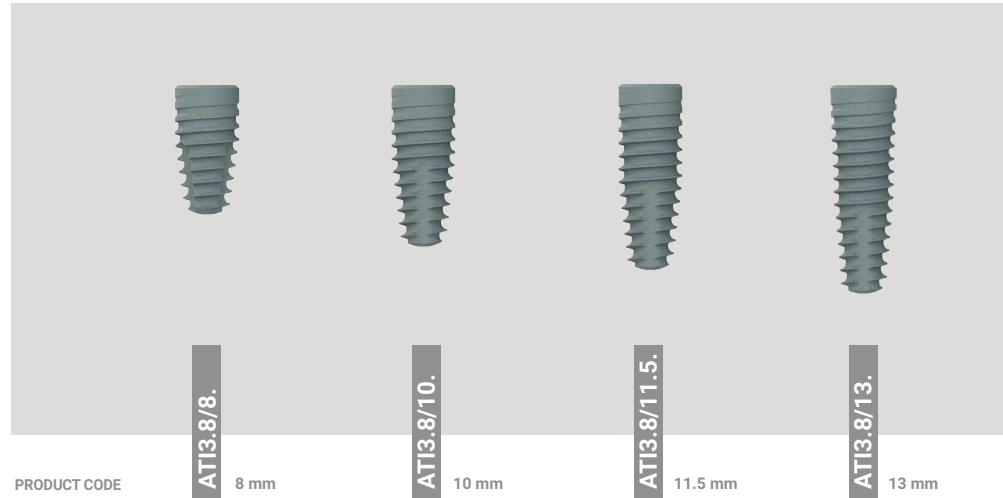
Bio3 IMPLANT ADVANCED

Standard platform



ATTENTION!

It is used for installation in front parts (incisors)



STANDARD PLATFORM

DIAMETER
3.8
INTERNAL HEX
2.1

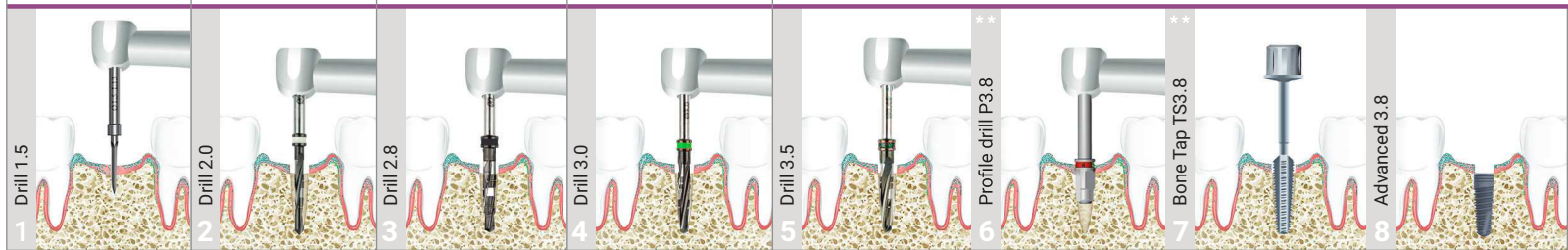
TITANIUM COVER SCREW 2.1



is included in each implant set

RECOMMENDED DRILLING SPEED

D1	800-1200	D1	800-1000	D1	600-800	D1	500-700	D1	500-700
D2	800-1200	D2	800-1000	D2	600-800	D2	600-800	D2	600-800
D3	800-1000	D3	700-900	D3	500-600	D3	500-600	D3	500-600
D4	800-1000	D4	600-800	D4	400-500	D4	400-500	D4	400-500



Implantation Protocol.*

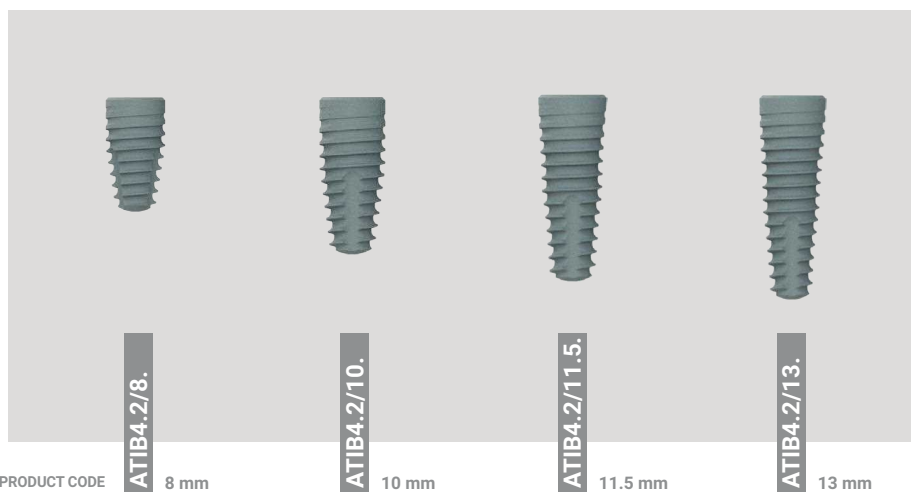
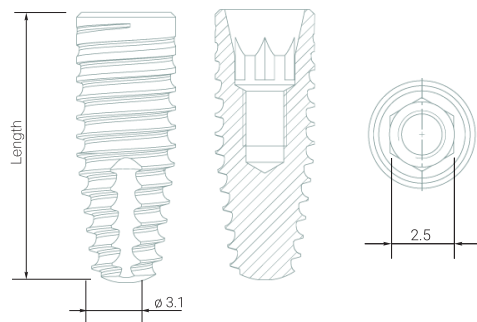
* The Protocol does not replace an appropriate training.

** It is used in I and II bone types.

Our drill 2.8 change color and go from red to black. During the transition period, we will deliver the red and black products to you, up to complete modification of the range.

Bio3 IMPLANT ADVANCED

Wide platform



DIAMETER
4.2
INTERNAL HEX
2.5

**WIDE
PLATFORM**

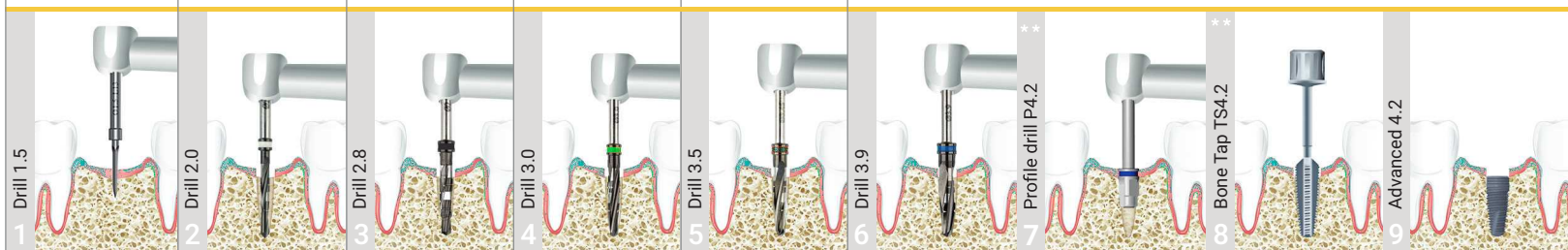
TITANIUM COVER SCREW 2.5



is included in each implant set

RECOMMENDED DRILLING SPEED

D1	800-1200	D1	800-1000	D1	600-800	D1	500-700	D1	500-700	D1	400-600
D2	800-1200	D2	800-1000	D2	600-800	D2	600-800	D2	600-800	D2	500-700
D3	800-1000	D3	700-900	D3	500-600	D3	500-600	D3	500-600	D3	500-600
D4	800-1000	D4	600-800	D4	400-500	D4	400-500	D4	400-500	D4	400-500



Implantation Protocol.*

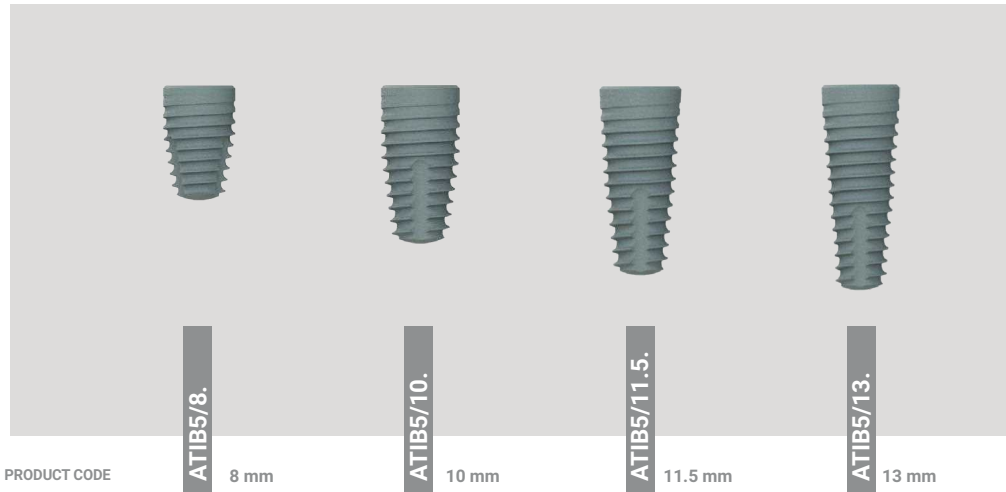
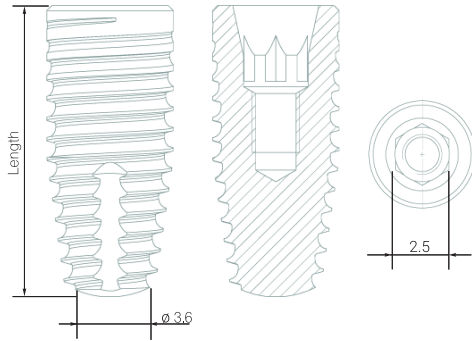
* The Protocol does not replace an appropriate training.

** It is used in I and II bone types.

Our drill 2.8 change color and go from red to black. During the transition period, we will deliver the red and black products to you, up to complete modification of the range.

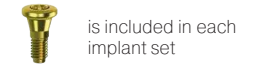
Bio3 IMPLANT ADVANCED

Wide platform



DIAMETER
5.0
INTERNAL HEX
2.5
WIDE PLATFORM

TITANIUM COVER SCREW 2.5



RECOMMENDED DRILLING SPEED

D1 800-1200	D1 800-1000	D1 600-800	D1 500-700	D1 500-700	D1 400-600	D1 400-600
D2 800-1200	D2 800-1000	D2 600-800	D2 600-800	D2 600-800	D2 500-700	D2 400-700
D3 800-1000	D3 700-900	D3 500-600	D3 500-600	D3 500-600	D3 500-600	D3 500-600
D4 800-1000	D4 600-800	D4 400-500	D4 400-500	D4 400-500	D4 400-500	D4 400-500



Implantation Protocol.*

* The Protocol does not replace an appropriate training.

** It is used in I and II bone types.

Our drill 2.8 change color and go from red to black. During the transition period, we will deliver the red and black products to you, up to complete modification of the range.



**Bio3 IMPLANT
FIX**



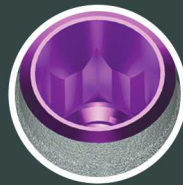
IMPLANT **FIX**

1 Innovative Design.
The implant features a tapered and fully threaded body with self-tapping threads. The thread has two starting points and a variable pitch depending on the diameters of the implants. Three spiral grooves run along the entire length of the body. At the upper part of the implant, there is a narrow neck with micro-grooves.

2 Best solution for Immediate Loading.
The FIX implant has been specifically designed for immediate loading, but it also works excellent for other protocols and bone types, depending on surgeons' choice and skills. For patients, this translates to a reduction in the number of dental visits and a shorter overall treatment duration.

3 Maximum Osseointegration.
The dual-threaded body of the implant prevents bone overheating and delicately cuts through it, collecting and redistributing bone within the implant's grooves. As a result, it leads to an increased bone-to-implant contact (BIC), promoting maximum osseointegration.

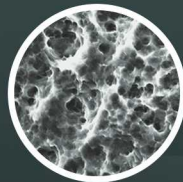
ONE STANDARD PLATFORM CONNECTION



BONE COLLECTION GROOVES



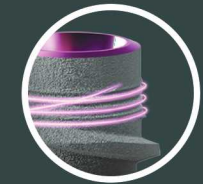
PROVEN SLA SURFACE



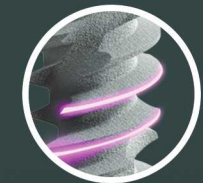
ONE PROSTHETICS LINE



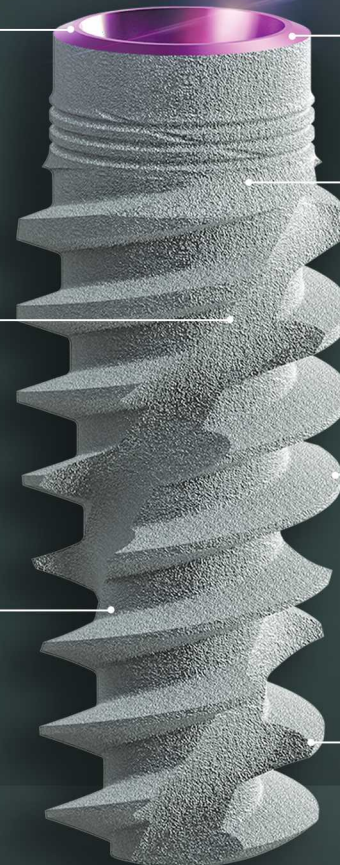
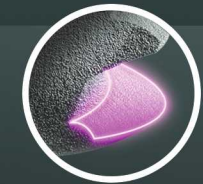
REDUCED DIAMETER OF THE IMPLANT NECK



AGGRESSIVE BLADES



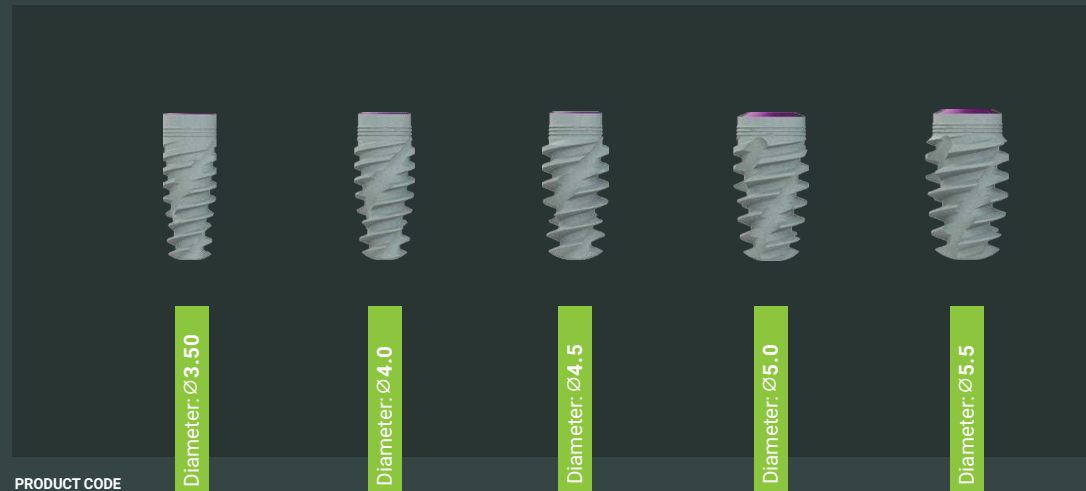
SHARP APEX THREAD



Bio3 IMPLANT FIX



Premium Dental Implants



INTERNAL HEX
2.1

PRODUCT CODE

Diameter: Ø3.50

Diameter: Ø4.0

Diameter: Ø4.5

Diameter: Ø5.0

Diameter: Ø5.5

DIAMETER	Ø3.50	Ø4.0	Ø4.5	Ø5.0	Ø5.5
LENGTH	8-10-11.5-13	6-8-10-11.5-13	6-8-10-11.5-13	6-8-10-11.5-13	6-8-10-11.5-13
BONE TYPE					
SOFT	Drill 2.8	Drill 2.8	Drill 3.0	Drill 3.5	Drill 3.9
MEDIUM	Drill 3.0	Drill 3.0+PrD3.3	Drill 3.5	Drill 3.9+PrD4.2	Drill 4.7
HARD	Drill 3.0+PrD3.3	Drill 3.5	Drill 3.9	Drill 4.7	-

Instruments

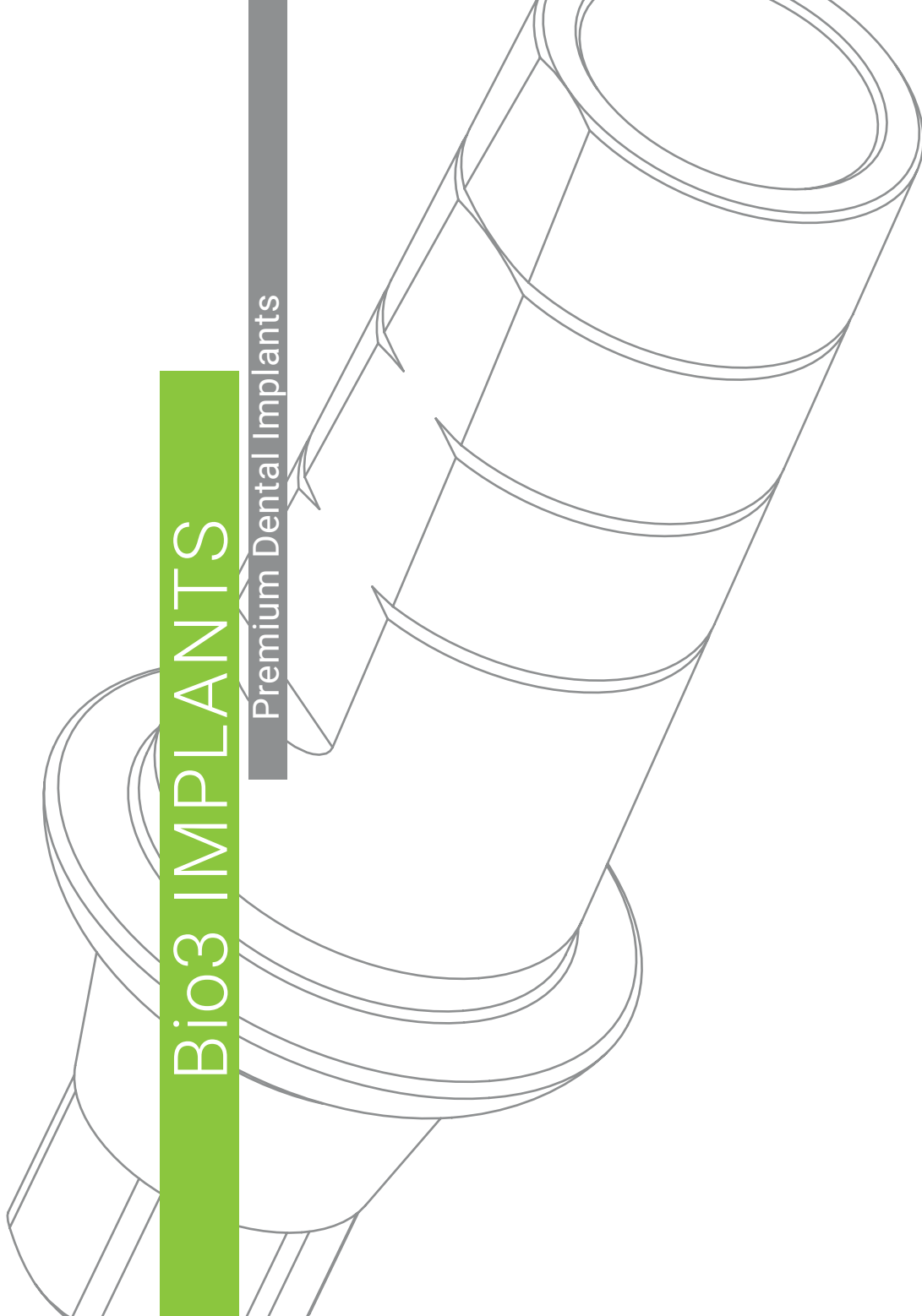
Kits

Suprastructures

Implants

Bio3 IMPLANTS

Premium Dental Implants

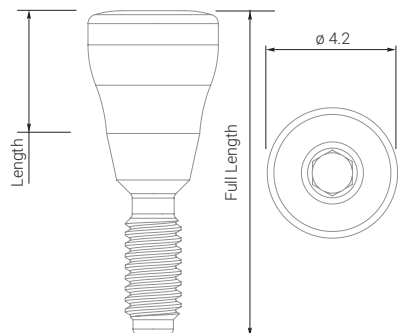


SUPRASTRUCTURES

GINGIVA HEALING ABUTMENTS

Standard platform

INTERNAL HEX
2.1



PRODUCT CODE

HEALING CAPS

DIAMETER
LENGTH
FULL LENGTH

STANDARD



GFS2 GFS3 GFS4 GFS5 GFS7

DIAMETER	4.2 mm	4.2 mm	4.2 mm	4.2 mm	4.2 mm
LENGTH	2 mm	3 mm	4 mm	5 mm	7 mm
FULL LENGTH	8.45 mm	9.45 mm	10.45 mm	11.45 mm	13.45 mm

Healing cap for standard platform (2.1 mm) with two various diameters – 4.2 mm and 5.5 mm. It is installed using universal or hand prosthetic insertion driver.

MATERIAL Titanium Grade 5

PRODUCT CODE

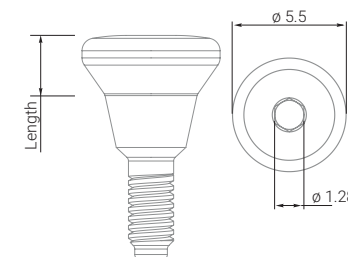
DIAMETER
LENGTH
FULL LENGTH

WIDE



GFS/W2 GFS/W3 GFS/W4 GFS/W5

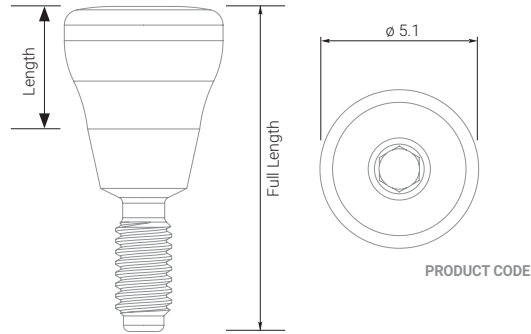
DIAMETER	5.5 mm	5.5 mm	5.5 mm	5.5 mm
LENGTH	2 mm	3 mm	4 mm	5 mm
FULL LENGTH	7.72 mm	8.73 mm	9.73 mm	10.73 mm



GINGIVA HEALING ABUTMENTS

Wide platform

INTERNAL HEX
2.5



STANDARD



HEALING CAPS

DIAMETER
LENGTH
FULL LENGTH

5.1 mm	5.1 mm	5.1 mm	5.1 mm	5.1 mm
2 mm	3 mm	4 mm	5 mm	7 mm
8.45 mm	9.45 mm	10.45 mm	11.45 mm	13.45 mm

Healing cap for wide platform (2.5 mm) with two various diameters – 5.1 mm and 5.5 mm.
It is installed using universal or hand prosthetic insertion driver.

MATERIAL Titanium Grade 5

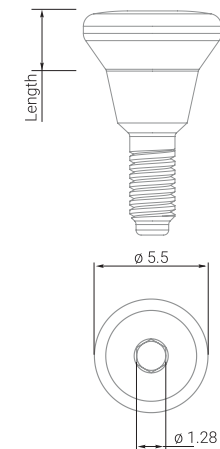
WIDE



PRODUCT CODE

DIAMETER
LENGTH
FULL LENGTH

GFB/W2	GFB/W3	GFB/W4	GFB/W5
5.5 mm	5.5 mm	5.5 mm	5.5 mm
2 mm	3 mm	4 mm	5 mm
7.9 mm	8.9 mm	9.9 mm	10.9 mm



GINGIVA HEALING NARROW ABUTMENTS

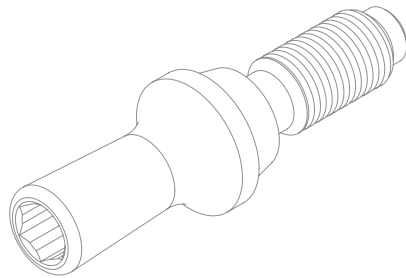


Standard platform

INTERNAL HEX

2.1

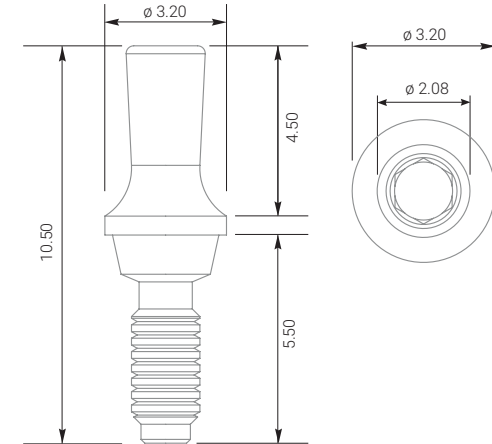
DIAMETER	3.2 mm
LENGTH	10.5 mm



MATERIAL Titanium Grade 5



PRODUCT CODE **GFNS**



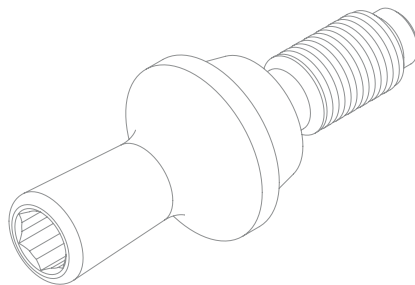
Wide platform

INTERNAL HEX

2.5

Ensures ideal gingival margin.
Suitable for any variants
of following dental prosthetics.

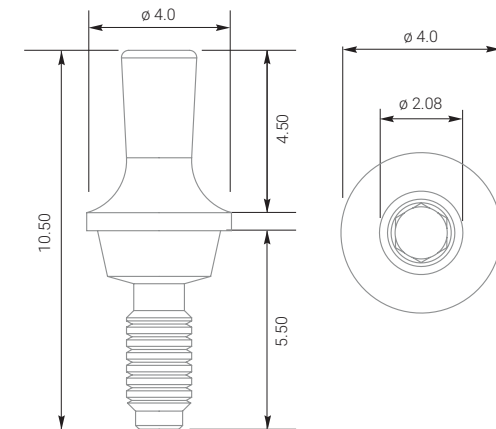
DIAMETER	4.0 mm
LENGTH	10.5 mm



MATERIAL Titanium Grade 5



PRODUCT CODE **GFNB**



Instruments

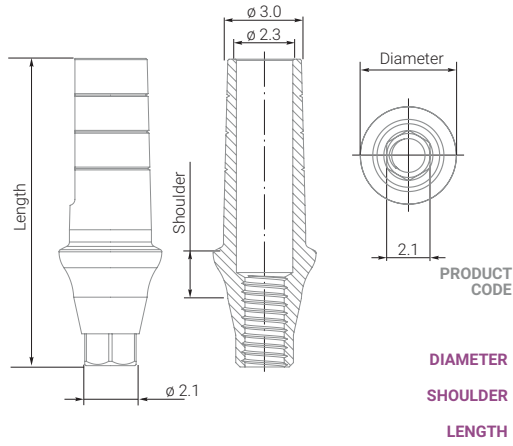
Kits

Suprastructures

Implants

STRAIGHT ANATOMIC ABUTMENTS

Standard platform



STANDARD



PRODUCT CODE	DIAMETER	SHOULDER	LENGTH
GAAS1	4.2 mm	1 mm	11.55 mm
GAAS2	4.2 mm	2 mm	12.55 mm
GAAS3	4.2 mm	3 mm	13.55 mm

WIDE



PRODUCT CODE	DIAMETER	SHOULDER	LENGTH
GAAS/W-1	5.5 mm	1 mm	11.55 mm
GAAS/W-2	5.5 mm	2 mm	12.55 mm
GAAS/W-3	5.5 mm	3 mm	13.55 mm

INTERNAL HEX
2.1

Each abutment set includes:

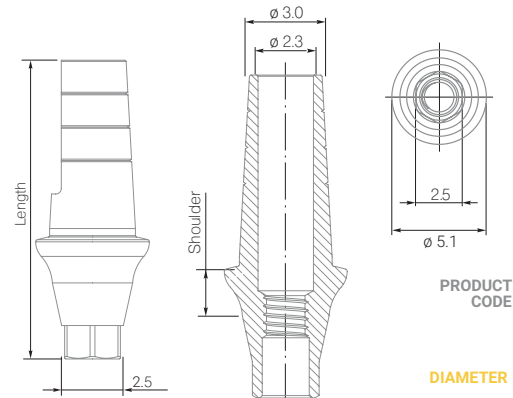


PROSTHETIC SCREW **SS***

Anatomic titanium abutment for standard platform (2.1 mm) with 1, 2, 3 mm shoulders that has two various shoulder diameter width – 4.2 mm and 5.5 mm. It is installed using universal or hand prosthetic insertion driver.

MATERIAL Titanium Grade 5

Wide platform



PRODUCT CODE	DIAMETER	SHOULDER	LENGTH
GAAB1	5.1 mm	1 mm	12.4 mm
GAAB2	5.1 mm	2 mm	13.4 mm
GAAB3	5.1 mm	3 mm	14.4 mm

INTERNAL HEX
2.5

Each abutment set includes:



PROSTHETIC SCREW **SW***

Anatomic titanium abutment for wide platform (2.5 mm) with 1, 2, 3 mm shoulders. It is installed using universal or hand prosthetic insertion driver.

MATERIAL Titanium Grade 5

PLASTIC TRANSFER CAP

STANDARD PLATFORM



PRODUCT CODE

PTCS

WIDE PLATFORM



PTCB

DIAMETER

7.0 mm

8.0 mm

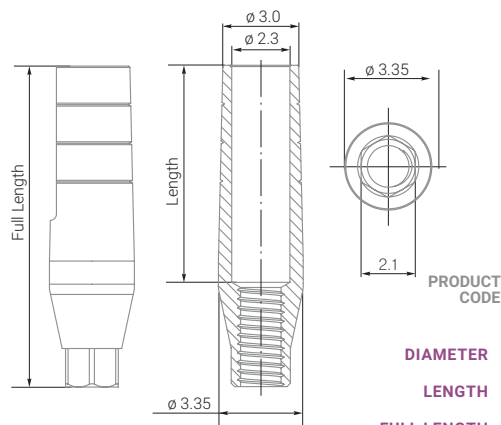
LENGTH

10 mm

10 mm

STRAIGHT ABUTMENTS

Standard platform



	WIDE	STANDARD		
DIAMETER	5.0 mm	3.35 mm	3.35 mm	3.35 mm
LENGTH	9 mm	6.7 mm	8.7 mm	11.7 mm
FULL LENGTH	13.7 mm	10.55 mm	12.55 mm	15.55 mm

Titanium straight abutment for standard platform (2.1 mm). Prosthetic screw in each set. It is installed using universal or hand prosthetic insertion driver.

MATERIAL Titanium Grade 5

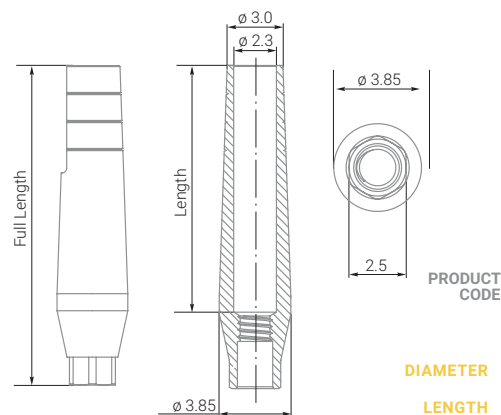
INTERNAL HEX
2.1

Each abutment set includes:



PROSTHETIC SCREW SS*

Wide platform



	WIDE	STANDARD		
DIAMETER	5.5 mm	3.85 mm	3.85 mm	3.85 mm
LENGTH	9 mm	8.07 mm	10.07 mm	13.07 mm
FULL LENGTH	13.9 mm	12.12 mm	14.12 mm	17.12 mm

Titanium straight abutment for wide platform (2.5 mm). Prosthetic screw in each set. It is installed using universal or hand prosthetic insertion driver.

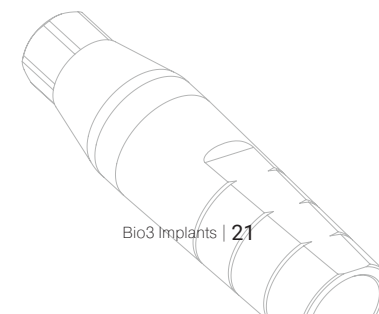
MATERIAL Titanium Grade 5

INTERNAL HEX
2.5

Each abutment set includes:

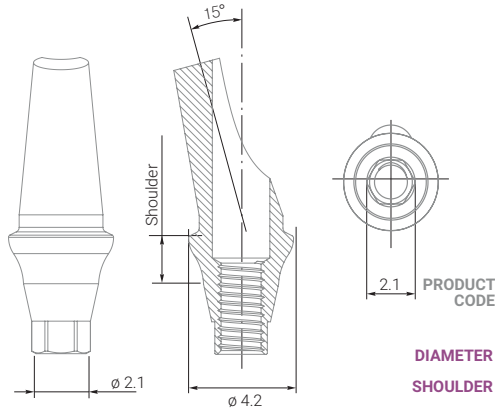


PROSTHETIC SCREW SW*



ANGLED ABUTMENTS 15°

Standard platform



DIAMETER	3.35 mm	4.2 mm	4.2 mm	4.2 mm
SHOULDER		1 mm	2 mm	3 mm
LENGTH	11.0 mm	10.85 mm	11.85 mm	12.85 mm
ANGLE	15°	15°	15°	15°

INTERNAL HEX
2.1

Each abutment set includes:

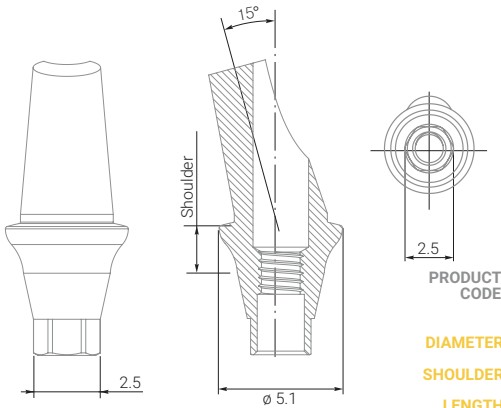


PROSTHETIC SCREW **SS***

MATERIAL Titanium Grade 5

Angled anatomic titanium abutment 15° for standard platform (2.1 mm) with 1, 2, 3 mm shoulder or without it. It is installed using universal or hand prosthetic insertion driver.

Wide platform



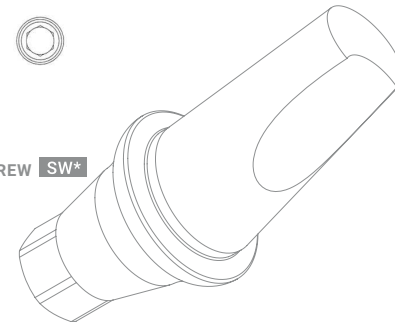
DIAMETER	3.85 mm	5.1 mm	5.1 mm	5.1 mm
SHOULDER		1 mm	2 mm	3 mm
LENGTH	12.85 mm	11.55 mm	12.2 mm	13.2 mm
ANGLE	15°	15°	15°	15°

INTERNAL HEX
2.5

Each abutment set includes:



PROSTHETIC SCREW **SW***

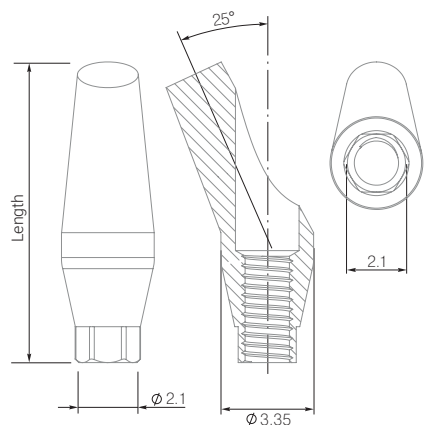


MATERIAL Titanium Grade 5

Angled anatomic titanium abutment 15° for wide platform (2.5 mm) with 1, 2, 3 mm shoulder or without it. It is installed using universal or hand prosthetic insertion driver.

ANGLED ABUTMENTS 25°

Standard platform

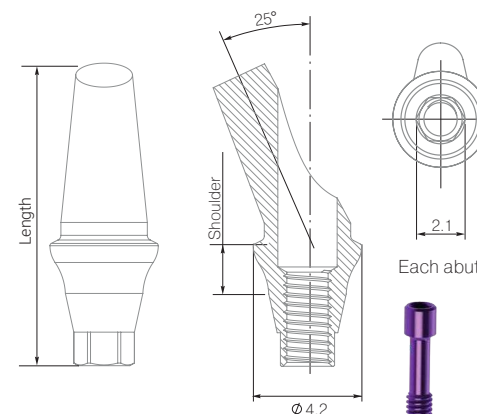


PRODUCT CODE

EAAS25

EAAS2502

DIAMETER	3.35 mm	4.2 mm
SHOULDER		2 mm
LENGTH	10.9 mm	11.75 mm
ANGLE	25°	25°



INTERNAL HEX
2.1

Each abutment set includes:

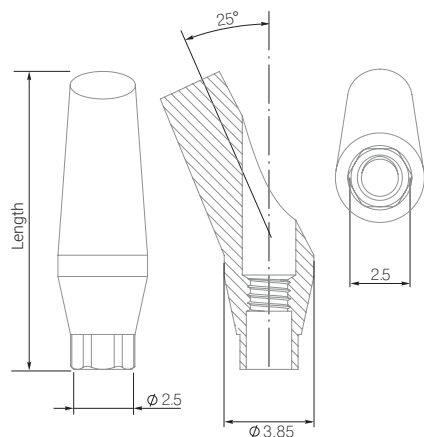


PROSTHETIC SCREW SS*

Angled anatomic titanium abutment 25° for standard platform (2.1 mm) with 2 mm shoulder or without it. It is installed using universal or hand prosthetic insertion driver.

MATERIAL Titanium Grade 5

Wide platform

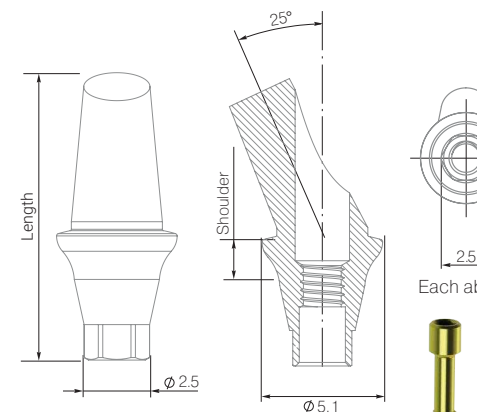


PRODUCT CODE

EAAB25

EAAB2502

DIAMETER	3.85 mm	5.1 mm
SHOULDER		2 mm
LENGTH	12.8 mm	12.15 mm
ANGLE	25°	25°



INTERNAL HEX
2.5

Each abutment set includes:



PROSTHETIC SCREW SW*

Angled anatomic titanium abutment 25° for wide platform (2.5 mm) with 2 mm shoulder or without it. It is installed using universal or hand prosthetic insertion driver.

MATERIAL Titanium Grade 5

IMPRESSION SUPRASTRUCTURES

Impression transfers for open tray

STANDARD PLATFORM	WIDE PLATFORM	
3.75 mm	4 mm	DIAMETER
12.3 mm	13.5 mm	LENGTH

Each transfer set includes:

PRODUCT CODE **SOLS11** **SOLB11**

MATERIAL Titanium Grade 5

SCREW **SFT22**

STANDARD PLATFORM	WIDE PLATFORM	
4.2 mm	5.1 mm	DIAMETER
17.85 mm	18.45 mm	LENGTH

Each transfer set includes:

PRODUCT CODE **SOLS15** **SOLB15**

MATERIAL Titanium Grade 5

SCREW **SFT22**

Laboratory analogs

STANDARD PLATFORM	WIDE PLATFORM	
3.75 mm	4 mm	DIAMETER
12.3 mm	13.5 mm	LENGTH

Each transfer set includes:

PRODUCT CODE **IAS** **IAB**

MATERIAL Titanium Grade 5

SCREW **SFT17**

Impression transfers for closed tray

STANDARD PLATFORM	WIDE PLATFORM	
4.2 mm	5.1 mm	DIAMETER
13.75 mm	14.35 mm	LENGTH

Each transfer set includes:

PRODUCT CODE **SGLS9** **SGLB9**

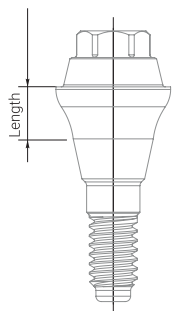
MATERIAL Titanium Grade 5

SCREW **SFT17**

STRAIGHT MULTI-UNITS

Antirotational Aesthetic Abutment S+ /W+

Standard platform



PRODUCT CODE	VAAS1+	VAAS2+	VAAS3+
DIAMETER	4.3 mm	4.3 mm	4.3 mm
LENGTH	1 mm	2 mm	3 mm

INTERNAL HEX
2.1

Wrench for MU

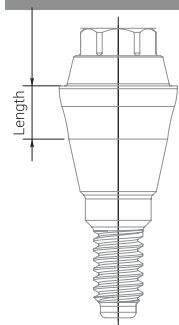


WF-MU
mandatory position
for using

MATERIAL Titanium Grade 5

The abutment is used to restore a fixed bridge with screw retention.
Screw in with a maximum force of 20 newton.

Wide platform



PRODUCT CODE	VAAB1+	VAAB2+	VAAB3+
DIAMETER	4.3 mm	4.3 mm	4.3 mm
LENGTH	1 mm	2 mm	3 mm

INTERNAL HEX
2.5

Wrench for MU



WF-MU
mandatory position
for using

MATERIAL Titanium Grade 5

For SINGLE construction

Titanium sleeve for screw retained abutment

Base for Out-Burnt Abutment Hex



Burnout plastic sleeve

Transfer

Temporary PEEK sleeve



Plastic VAAS

SAES15

TGAS1

For FIXED BRIDGE construction

Titanium sleeve

Castable sleeve

Healing Cap

Healing Cap Wide

Burnout plastic sleeve

Temporary PEEK sleeve

Laboratory Analog

Transfer



GIMV



CSMU



GIMA



GIMA-W



Plastic TCMS



TGMN 1



IAEN



SOKM15

* Screw for Gima is included

Instruments

Kits

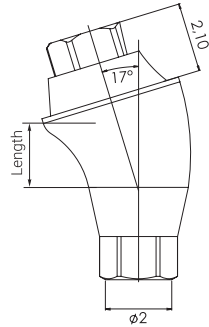
Suprastructures

Implants

ANGLED MULTI-UNIT 17°

Titanium basis for multi-unit S/W

Standard platform



PRODUCT CODE	TBMS1701	TBMS1702	TBMS1703
	DIAMETER	4.35 mm	4.35 mm
LENGTH	1 mm	2 mm	3 mm

INTERNAL HEX
2.1

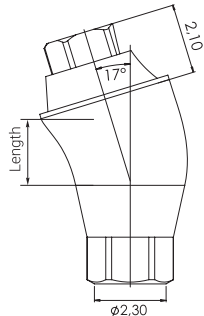
Each multi-unit basis set includes:



Screw for Multiunit Base **SMB**

Angled multi-unit 17° of a standard/wide platform is intended for the construction with screw retention during the treatment of partial or full adentia. It is used in cases where the implant is placed at an angle. A multifunctional torque wrench is used for the installation.

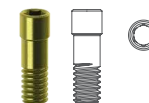
Wide platform



PRODUCT CODE	TBMB1701	TBMB1702	TBMB1703
	DIAMETER	4.35 mm	4.35 mm
LENGTH	1 mm	2 mm	3 mm

INTERNAL HEX
2.5

Each multi-unit basis set includes:



Screw for Multiunit Base **SMB**

For SINGLE construction

Titanium sleeve for screw retained abutment



GAVAA

Base for Out-Burnt Abutment Hex



CSMU-H

Burnout plastic sleeve



Plastic VAAS

Temporary PEEK sleeve



TGAS1

For FIXED BRIDGE construction

Titanium sleeve



GIMV

Castable sleeve



CSMU

Healing Cap



GIMA

Healing Cap Wide



GIMA-W

Burnout plastic sleeve



Plastic TCMS

Temporary PEEK sleeve



TGMN 1

Laboratory Analog



IAEN

Transfer



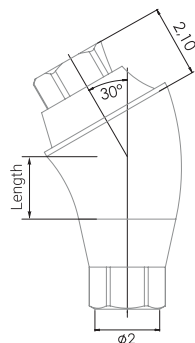
SOKM15

* Screw for Gima is included

ANGLED MULTI-UNIT 30°

Titanium basis for multi-unit S/W

Standard platform



PRODUCT CODE	TBMS3001	TBMS3002	TBMS3003
	4.3 mm	4.3 mm	4.3 mm
DIAMETER	1 mm	2 mm	3 mm
LENGTH			

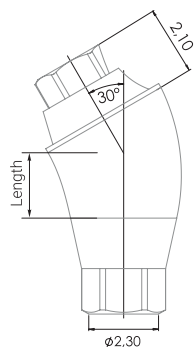
INTERNAL HEX
2.1

Each multi-unit basis set includes:



Screw for Multiunit Base **SMB**

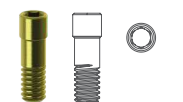
Wide platform



PRODUCT CODE	TBMB3001	TBMB3002	TBMB3003
	4.3 mm	4.3 mm	4.3 mm
DIAMETER	1 mm	2 mm	3 mm
LENGTH			

INTERNAL HEX
2.5

Each multi-unit basis set includes:



Screw for Multiunit Base **SMB**

Angled multi-unit 30° of a standard/wide platform is intended for the construction with screw retention during the treatment of partial or full adentia. It is used in cases when the implant is placed at an angle. A multifunctional torque wrench is used for the installation.

For FIXED BRIDGE construction

Titanium sleeve	Castable sleeve	Healing Cap	Healing Cap Wide	Burnout plastic sleeve	Temporary PEEK sleeve	Laboratory Analog	Transfer
GIMV	CSMU	GIMA	GIMA-W	Plastic TCMS	TGMN 1	IAEN	SOKM15

* Screw for Gima is included

For SINGLE construction

Titanium sleeve for screw retained abutment



GAVAA

Base for Out-Burnt Abutment Hex



CSMU-H

Burnout plastic sleeve



Plastic VAAS

Temporary PEEK sleeve



TGAS1

Instruments

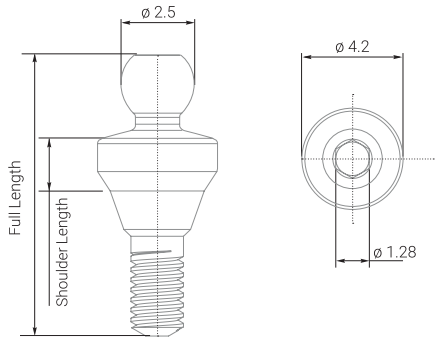
Kits

Suprastructures

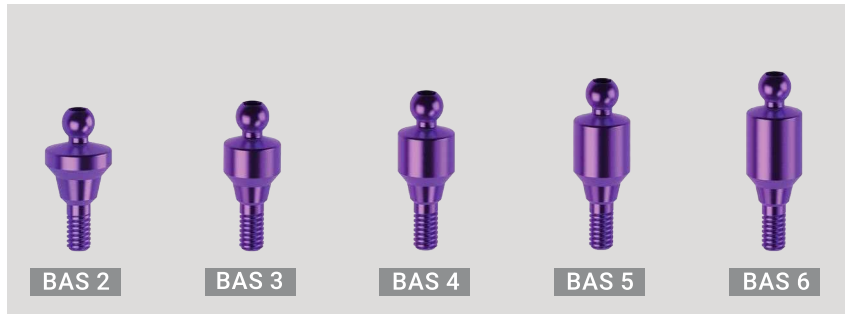
Implants

BALL ATTACHMENTS

Standard platform



PRODUCT CODE

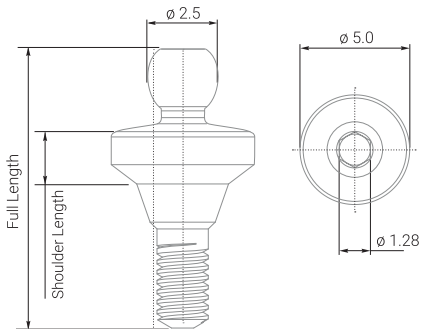


DIAMETER	4.2 mm	4.2 mm	4.2 mm	4.2 mm	4.2 mm
SHOULDER LENGTH	2 mm	3 mm	4 mm	5 mm	6 mm
FULL LENGTH	9.95 mm	10.95 mm	11.95 mm	12.95 mm	13.95 mm

MATERIAL Titanium Grade 5

Ball attachment for overdentures and removable dentures fixation for standard platform (2.1 mm) as an element for dental prosthetics on two or more implants. It is installed using universal or hand prosthetic insertion driver.

Wide platform



PRODUCT CODE



DIAMETER	5.0 mm	5.0 mm	5.0 mm	5.0 mm	5.0 mm
SHOULDER LENGTH	2 mm	3 mm	4 mm	5 mm	6 mm
FULL LENGTH	10.6 mm	11.6 mm	12.6 mm	13.6 mm	14.6 mm

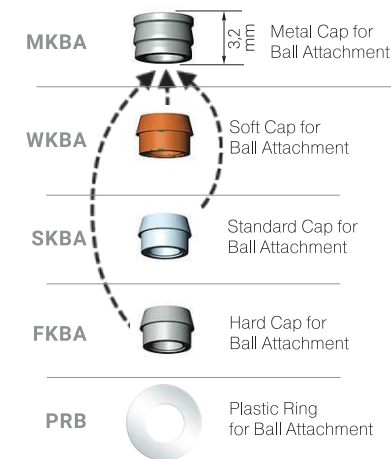
MATERIAL Titanium Grade 5

Ball attachment for overdentures and removable dentures fixation for wide platform (2.5 mm) as an element for dental prosthetics on two or more implants. It is installed using universal or hand prosthetic insertion driver.

INTERNAL HEX

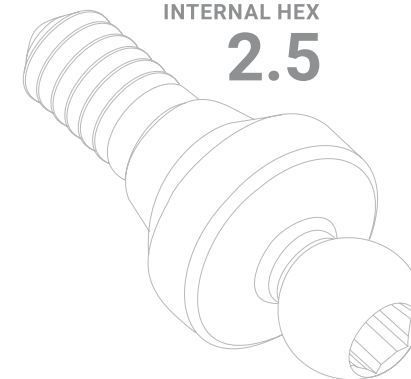
2.1

Each ball attachment should be supported by metal cap with 3 caps applied in the following sequence: Metal ← Soft ← Standard ← Hard to ensure the most comfortable adaptation of the patient to his new dental prosthesis.



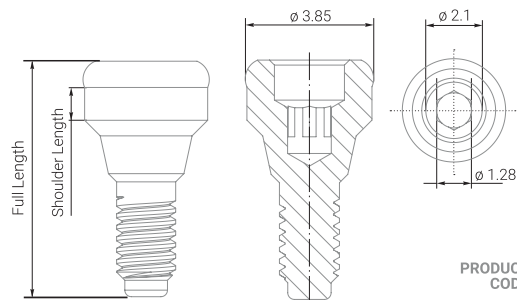
INTERNAL HEX

2.5



LOCATORS

Standard platform



PRODUCT CODE



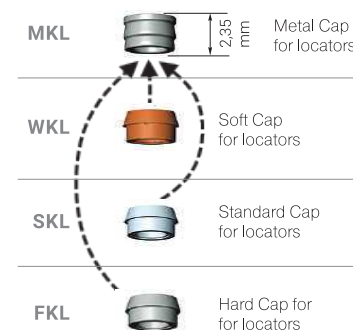
DIAMETER	3.85 mm	3.85 mm	3.85 mm	3.85 mm	3.85 mm
SHOULDER LENGTH	2 mm	3 mm	4 mm	5 mm	6 mm
FULL LENGTH	8.2 mm	9.2 mm	10.2 mm	11.2 mm	12.2 mm

MATERIAL Titanium Grade 5

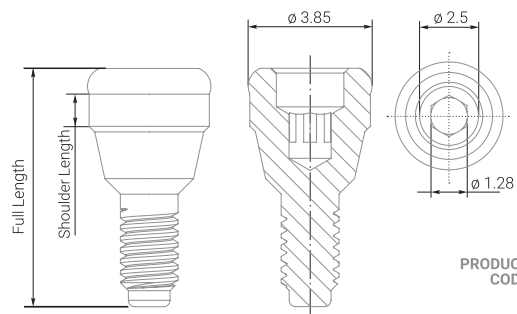
Locators for overdentures and removable dentures fixation for standard platform (2.1 mm) as an element for dental prosthetics on two or more implants. It is installed using universal or hand prosthetic insertion driver.

INTERNAL HEX 2.1

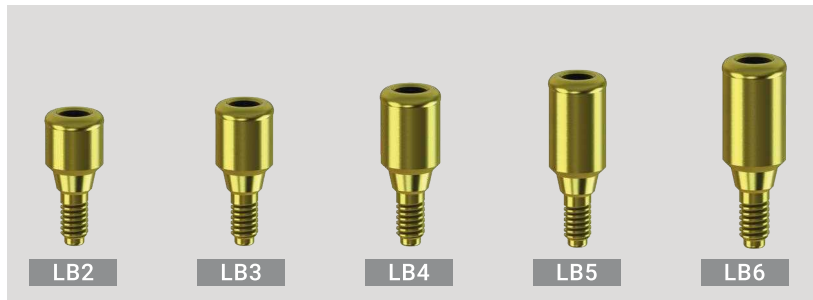
Each ball attachment should be supported by metal cap with 3 applied in the following sequence: Metal ← Soft ← Standard ← Hard to ensure the most comfortable adaptation of the patient to his new dental prosthesis.



Wide platform



PRODUCT CODE

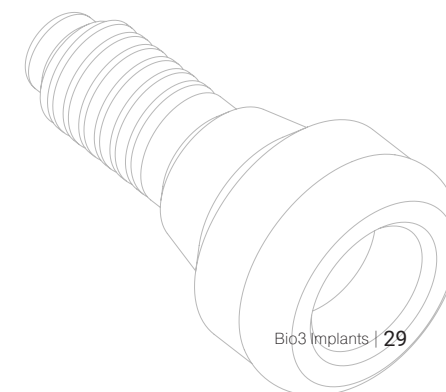


DIAMETER	3.85 mm	3.85 mm	3.85 mm	3.85 mm	3.85 mm
SHOULDER LENGTH	2 mm	3 mm	4 mm	5 mm	6 mm
FULL LENGTH	8.2 mm	9.2 mm	10.2 mm	11.2 mm	12.2 mm

MATERIAL Titanium Grade 5

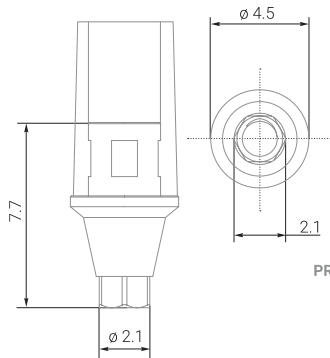
Locators for overdentures and removable dentures fixation for wide platform (2.5 mm) as an element for dental prosthetics on two or more implants. It is installed using universal or hand prosthetic insertion driver.

INTERNAL HEX 2.5



BURN-OUT PLASTIC SLEEVE ABUTMENTS

Standard platform



PRODUCT CODE

TBKS1

MATERIAL Cobalt-chrome

DIAMETER 4.5 mm
LENGTH 7.7 mm

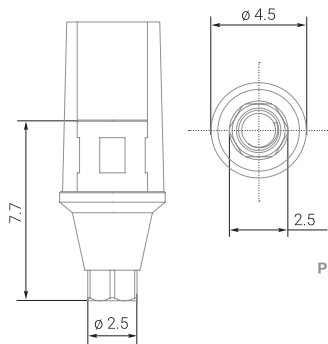
INTERNAL HEX
2.1

Each abutment set includes:



PROSTHETIC SCREW SS*

Wide platform



PRODUCT CODE

TBKB1

MATERIAL Cobalt-chrome

DIAMETER 4.5 mm
LENGTH 7.7 mm

INTERNAL HEX
2.5

Each abutment set includes:



PROSTHETIC SCREW SW*

BURN-OUT ABUTMENTS

Standard platform

For bridge construction

DIAMETER 4.2 mm
LENGTH 14 mm

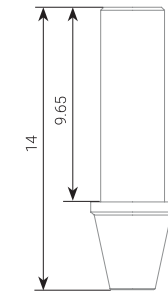
Each platform set includes:



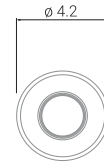
Plastic Cylinder
Abutment
Non Hex



PCS NH



PROSTHETIC SCREW SS*



MATERIAL
Burned out plastic

Wide platform

For bridge construction

DIAMETER 4.6 mm
LENGTH 14.5 mm

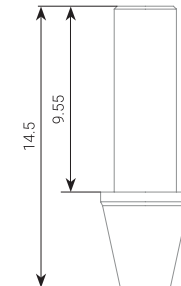
Each platform set includes:



Plastic Cylinder
Abutment
Non Hex



PCB NH



PROSTHETIC SCREW SW*



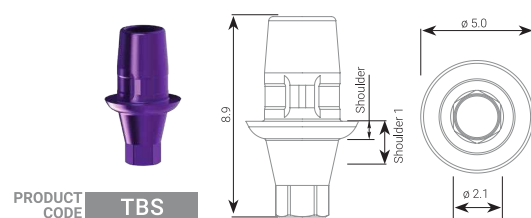
MATERIAL
Burned out plastic

PROSTHETICS FOR CAD/CAM

Standard platform

Ti Base S for CEREC

DIAMETER 5.0 mm
FUNCTIONAL LENGTH 4.65 mm
SHOULDER 1 mm

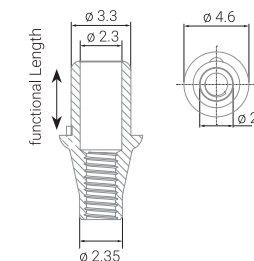


MATERIAL
 Titanium Grade 5

Titanium platform for CAD/CAM

	Non Hex	TPS	TPS1	TPS2	TPS3
PRODUCT CODE	TPS-NH	TPS	TPS1	TPS2	TPS3
DIAMETER	4.6 mm	4.6 mm	4.6 mm	4.6 mm	4.6 mm
FUNCTIONAL LENGTH	4.1 mm	4.1 mm	4.1 mm	4.1 mm	4.1 mm
SHOULDER	0.5 mm	0.5 mm	1 mm	2 mm	3 mm
SHOULDER 1	1.3 mm	1.3 mm	2.3 mm	3.3 mm	4.3 mm

MATERIAL
 Titanium Grade 5



Each platform set includes:

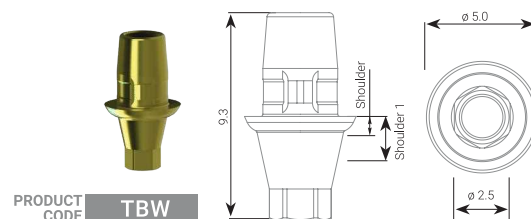


PROSTHETIC SCREW **SS***

Wide platform

Ti Base W for CEREC

DIAMETER 5.0 mm
FUNCTIONAL LENGTH 4.65 mm
SHOULDER 1 mm

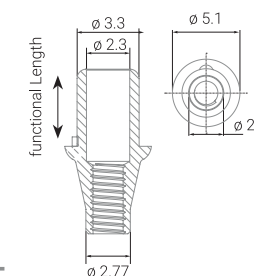


MATERIAL
 Titanium Grade 5

Titanium platform for CAD/CAM

	Non Hex	TPB	TPB1	TPB2	TPB3
PRODUCT CODE	TPB-NH	TPB	TPB1	TPB2	TPB3
DIAMETER	5.1 mm	5.1 mm	5.1 mm	5.1 mm	5.1 mm
FUNCTIONAL LENGTH	4.05 mm	4.1 mm	4.1 mm	4.1 mm	4.1 mm
SHOULDER	0.5 mm	0.5 mm	1 mm	2 mm	3 mm
SHOULDER 1	1.3 mm	1.3 mm	2.3 mm	3.3 mm	4.3 mm

MATERIAL
 Titanium Grade 5



Each platform set includes:



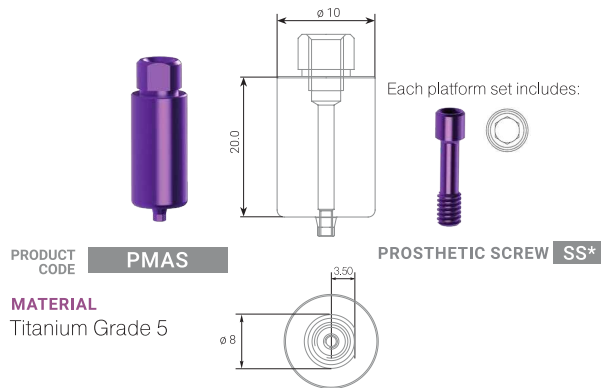
PROSTHETIC SCREW **SW***

PROSTHETICS FOR CAD/CAM

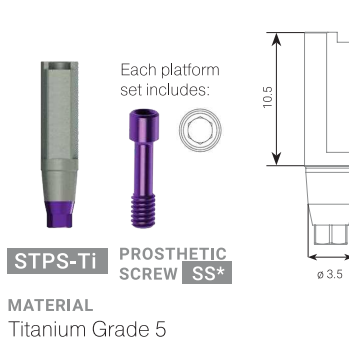
Standard platform

PREMILL ABUTMENT

for Arum

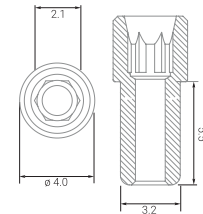


TITANIUM SCAN- ABUTMENT

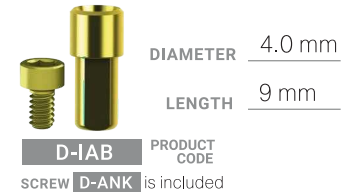
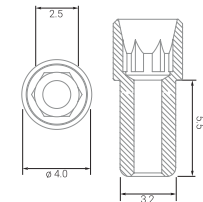


Digital analogs

STANDARD PLATFORM



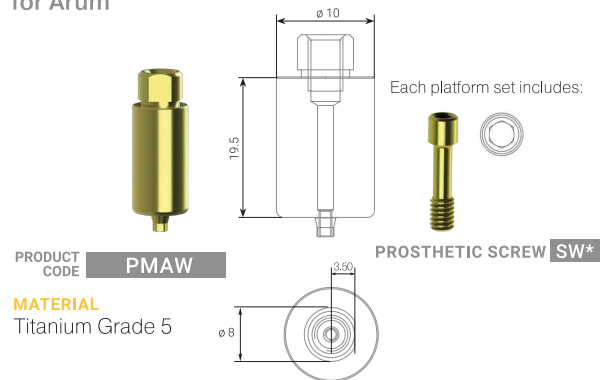
WIDE PLATFORM



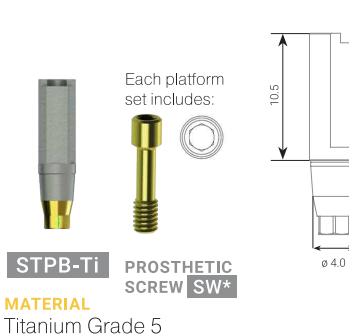
Wide platform

PREMILL ABUTMENT

for Arum

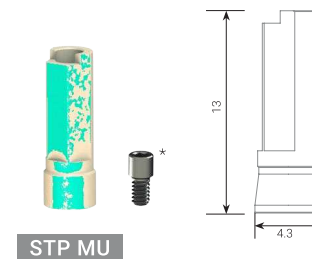


TITANIUM SCAN- ABUTMENT



For Multi-units

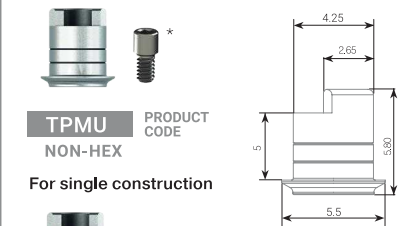
Scan Abutment for MU



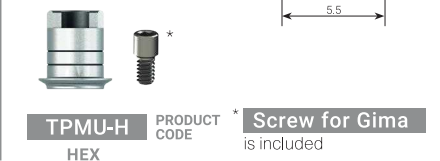
* Screw for Gima is included

Titanium platform for CAD/CAM MU

For bridge construction



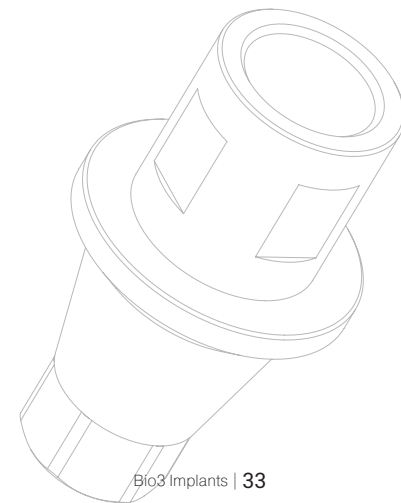
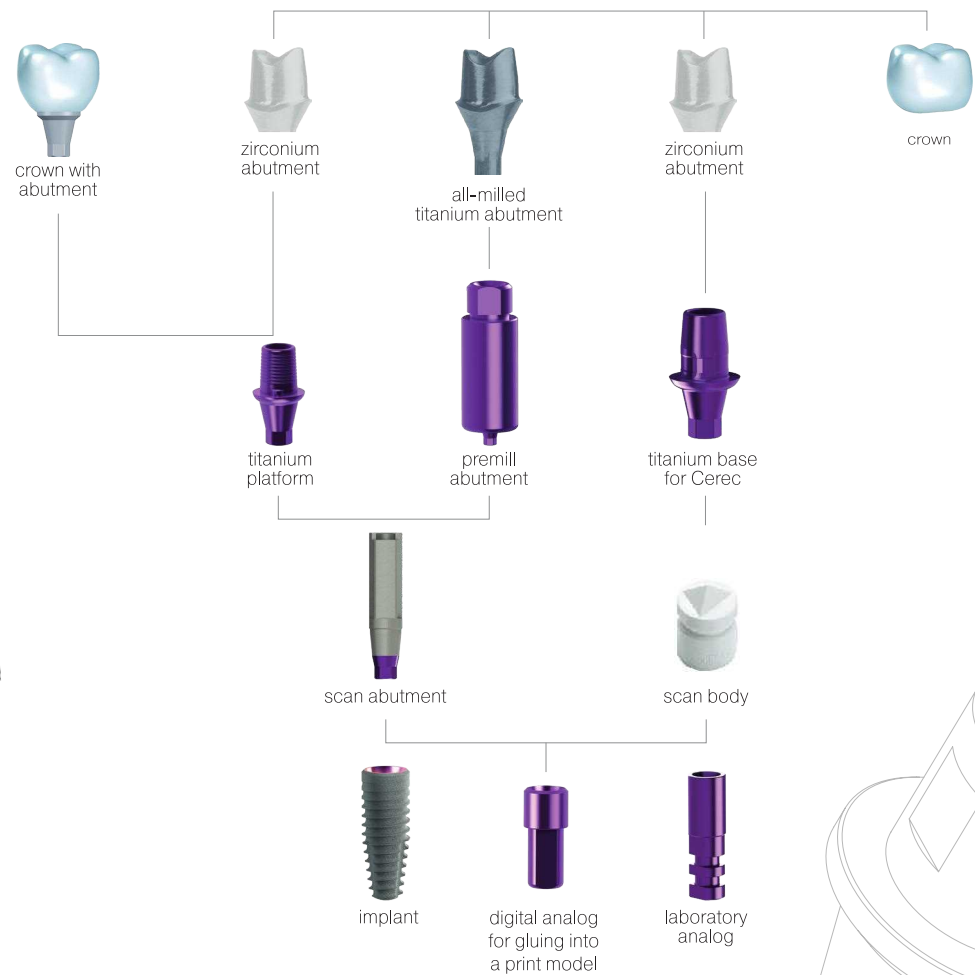
For single construction



DIGITAL PROTOCOL FOR CREATING AN ORTHOPEDIC STRUCTURE



Home page bio3-implants.com contains the following libraries available for download:
Exocad, Exoplan, 3SHAPE, 3DIEMME, NemoTec, dicomLAB, Blender for dental, ImplaStation



Bio3 SURGICAL KIT

For a quick and easy dental surgery

Bio3 Implants Surgical Kit is packed in carton box.

**STANDARD
PLATFORM**

**WIDE
PLATFORM**

Bio3 surgical kit is designed for a quick and easy installation of implants of two types.

All instruments in the kit are made of surgical steel



- High-class surgical steel
- Fast and simple implant placement
- Two sets of stoppers
- Compact size

COMPONENTS OF THE SURGICAL KIT

SURGICAL DRILLS

The conical surgical drills without internal cooling of various diameters with diamond type coating

For bone cavity formation

mm



MATERIAL: SURGICAL STEEL

DRILL STOPPERS

Stoppers for drills diameter – 2.0 and 2.8

For drilling depth limitation

mm



MATERIAL: SURGICAL STEEL

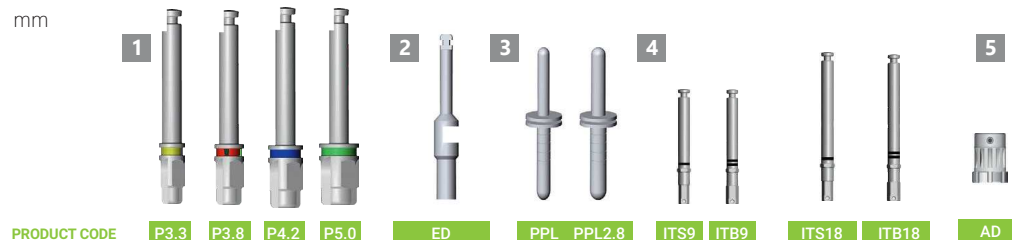
NOTE:

Our drill 2.8 and stoppers 2.0 - 2.8 change color and go from red to black. During the transition period, we will deliver the red and black products to you, up to complete modification of the range.

SUPPORTING INSTRUMENTS

- 1 Profile drills
- 2 Drill extension
- 3 Parallel pin x 2
For socket direction and depth identification
- 4 Implant driver adapter
- 5 Adapter-implant drivers for range ratchet

mm



MATERIAL: SURGICAL STEEL

INSTRUMENTS

- 6 Universal screwdriver for screws 9 mm and 18 mm
For prosthetic screws, abutments, healing caps and implant plugs
- 7 Implant drivers 9 mm and 18 mm
- 8 Depth gauge
- 9 Range ratchet
- 10 Torque wrench adaptor, force 10/45H
*Option is not included in the set



MATERIAL: SURGICAL STEEL

Bio3 GUIDE SURGICAL KIT



GSK

**STANDARD
PLATFORM**

**WIDE
PLATFORM**

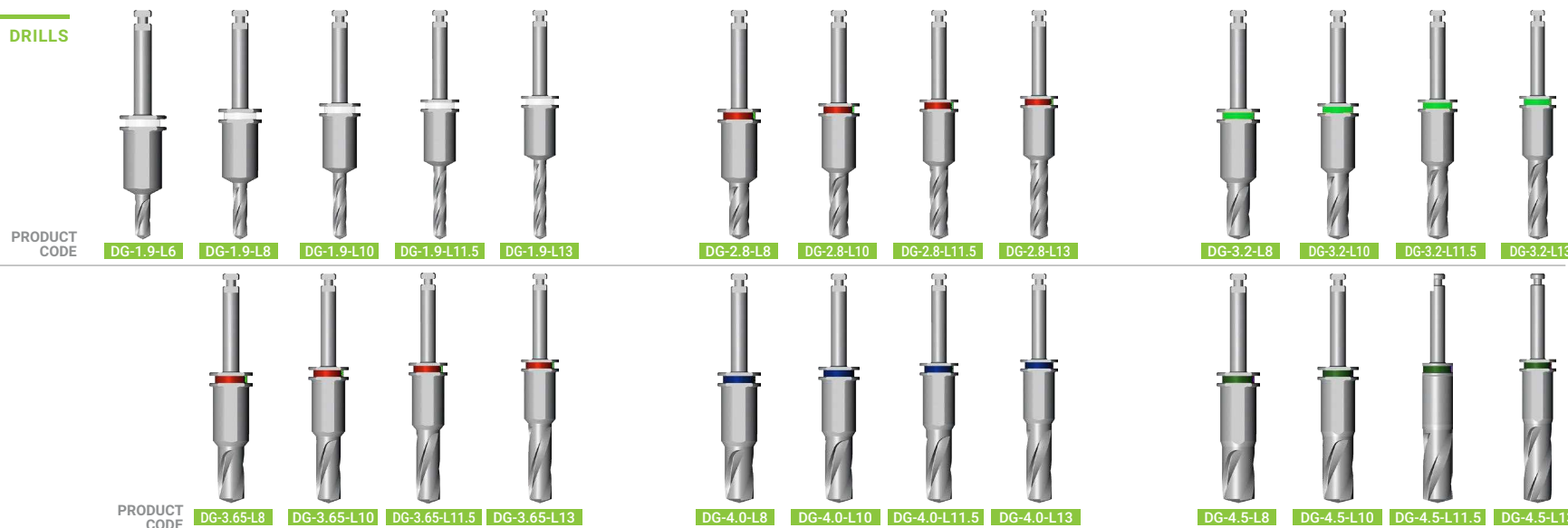


**is not included in GUID SURGICAL KIT, can be ordered additionally*

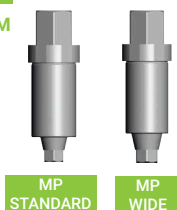
***Surgical guide's drilling template can be printed in any available technical laboratory.*

COMPONENTS OF THE SURGICAL GUIDE KIT

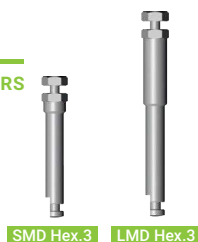
DRILLS



MOUNTER PLATFORM



MOUNT DRIVERS



RATCHET ADAPTOR



TISSUE PUNCH



BONE MILL *



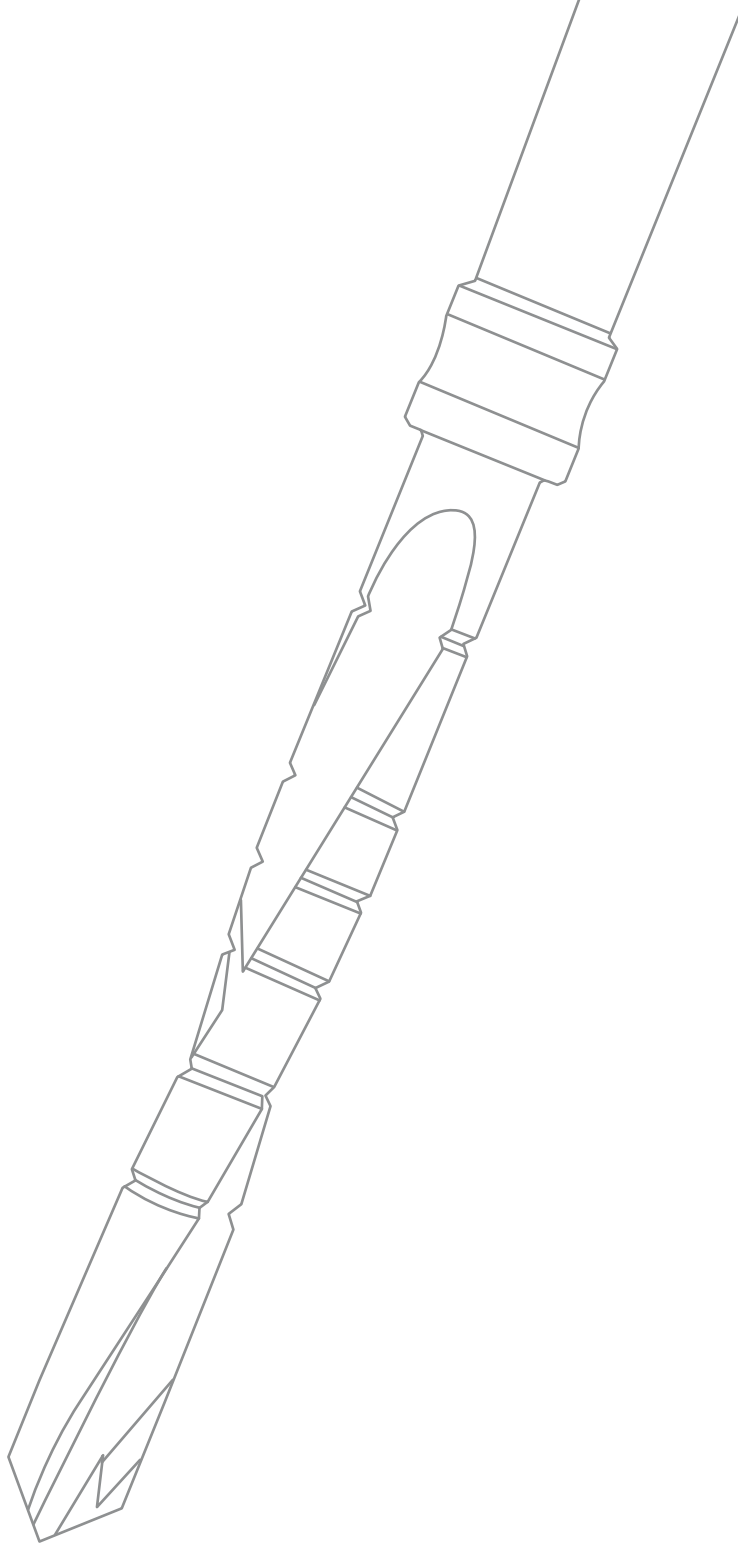
UNIVERSAL SCREWDRIVER FOR SCREWS 9 mm and 18 mm



* is not included in GSK, can be order additionally

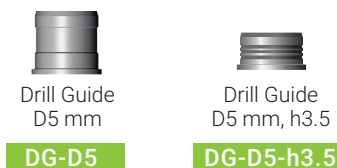
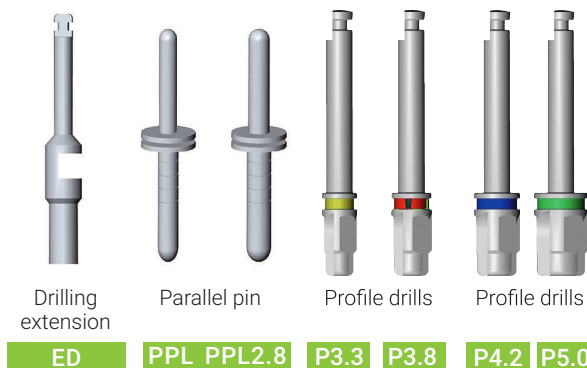
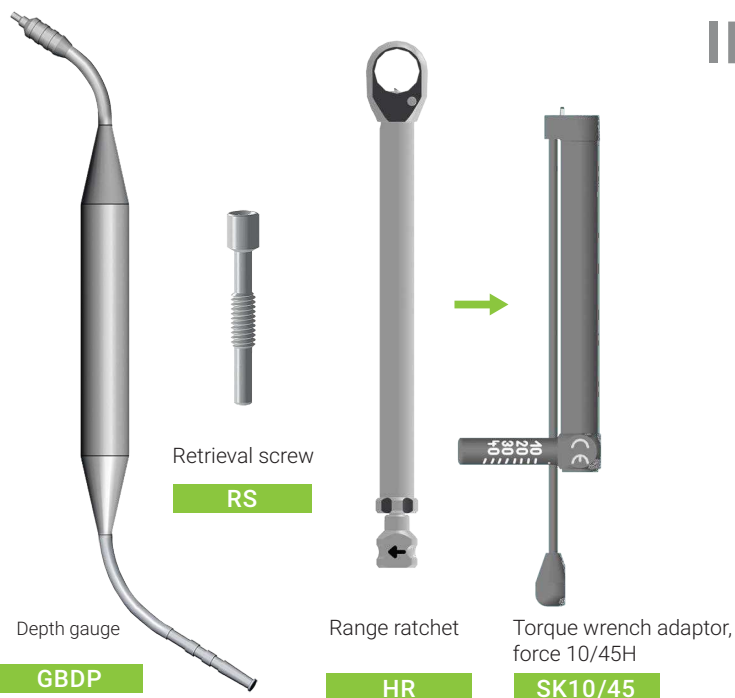
Bio3 IMPLANTS

Premium Dental Implants

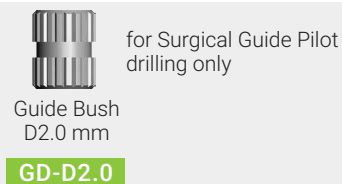


INSTRUMENTS

INSTRUMENTS

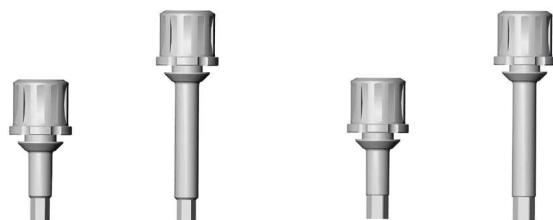


Drill guide is placed inside the prepared surgical guide and is intended for guiding of the surgical drills and implant placement.



IMPLANT DRIVERS

	STANDARD PLATFORM		WIDE PLATFORM	
DIAMETER	2.1 mm	2.1 mm	2.5 mm	2.5 mm
LENGTH	9 mm	18 mm	9 mm	18 mm



PRODUCT CODE **IS9 IS18 IB9 IB18**

Implant driver of a various length – 9 mm and 18 mm for range ratchet
MATERIAL Surgical steel

IMPLANT DRIVER ADAPTERS

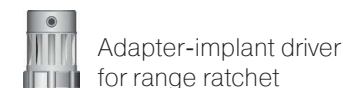
	STANDARD PLATFORM		WIDE PLATFORM	
DIAMETER	2.1 mm	2.1 mm	2.5 mm	2.5 mm
LENGTH	9 mm	18 mm	9 mm	18 mm



PRODUCT CODE **ITS9 ITS18 ITB9 ITB18**

It is used for implant installation with handpiece – 9 mm and 18 mm
MATERIAL Surgical steel

ADAPTER-IMPLANT DRIVER



AD

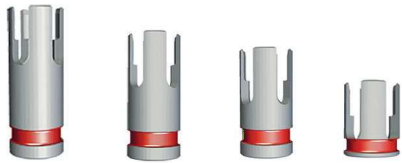
STOPPERS FOR PILOT DRILLS

DIAMETER 2.8 mm

DIAMETER 3.0-4.7 mm

Stoppers for cylinder pilot drills, diameter 2.0 and 2.8 mm

Stoppers for drill TCS 3.0, 3.5, 3.9, 4.7, diameter 3.0-4.7 mm



LB2.8/

8

10

11.5

13

LB3.0-4.7/

8

10

11.5

13

MATERIAL Surgical steel

NOTE: Our drill 2.8 and stoppers 2.0 - 2.8 change color and go from red to black. During the transition period, we will deliver the red and black products to you, up to complete modification of the range.

WRENCHES FOR SUPRASTRUCTURES

For both platforms



SU9

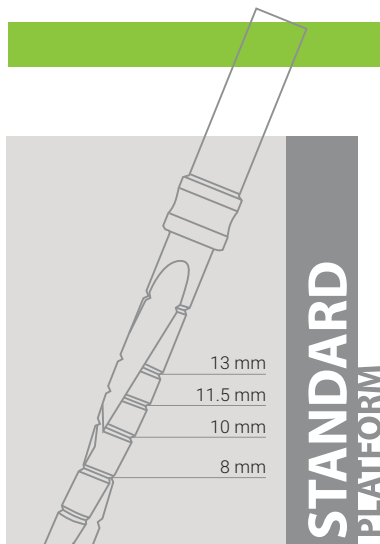
SU18

MATERIAL Surgical steel

Universal wrench of various length, 9 mm and 18 mm for prosthetic screws, implant plugs and other accessories.

SURGICAL TAPERED DRILLS

Diamond-like coating



MARK DRILL



TCB1.5
1.5 mm

CYLINDRICAL PILOT DRILLS



TCB2.0
2.0 mm



TCS2.8
2.8 mm

TAPERED DRILLS

Please note:

Cutting instruments with diamond-like coating should generally be replaced after 50 autoclaving. Blunt or damaged instruments must be replaced immediately.

Surgical tapered drills of various diameters without inner cooling for conical shape bone cavity formation when bone cavity shape ideally follows implant body shape.



TCS3.0
3.0 mm



TCS3.5
3.5 mm



TCS3.9
3.9 mm



TCS4.7
4.7 mm

MATERIAL Surgical steel

Diameter